

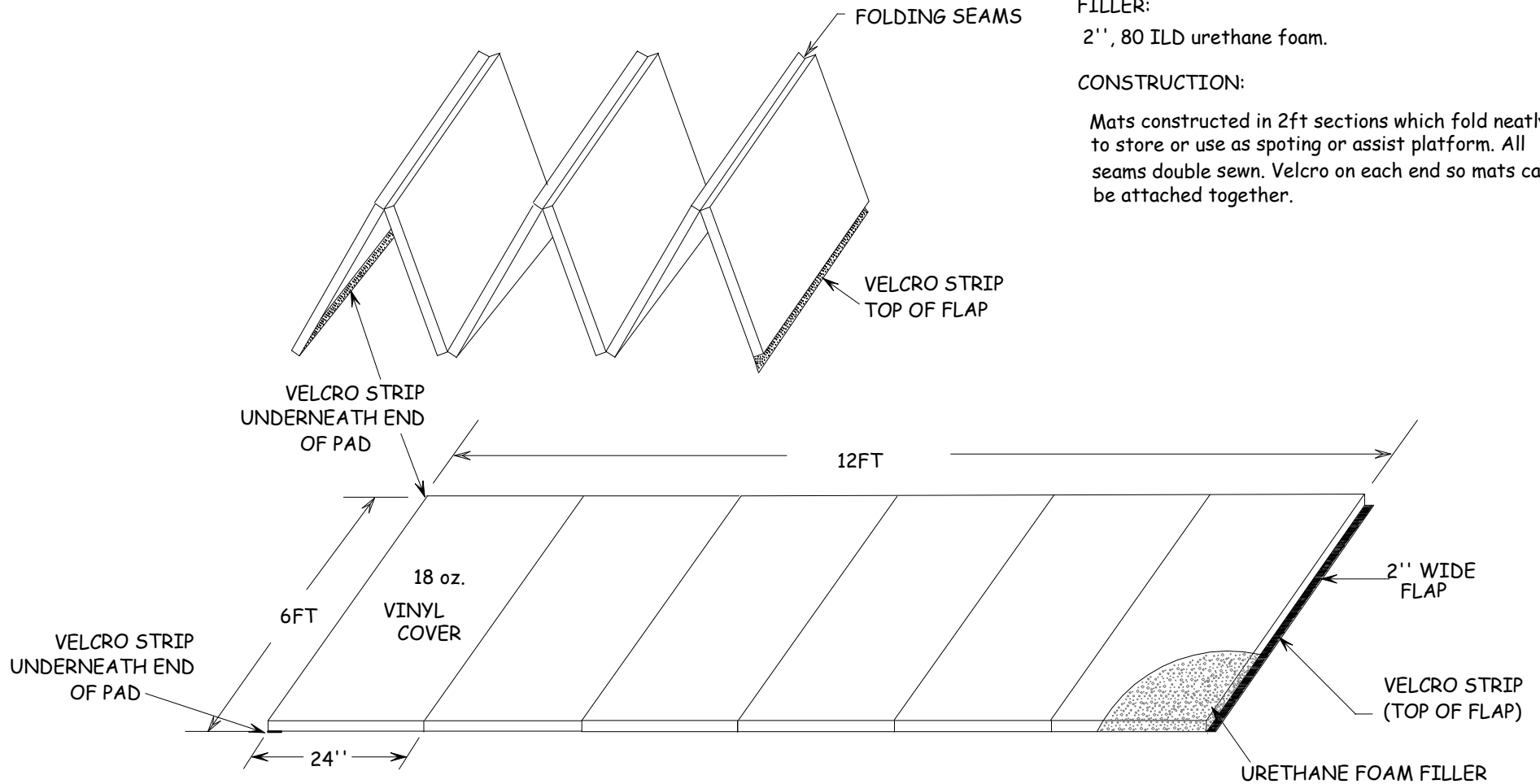
UFM - URETHANE FOLDING MAT

SPECIFICATIONS:  
 SIZE: 6' X 12' X 2''

COVER:  
 18 Oz. polyester reinforced vinyl. Meets California Fire Marshal specifications.  
 Various colors of vinyl available.

FILLER:  
 2'', 80 ILD urethane foam.

CONSTRUCTION:  
 Mats constructed in 2ft sections which fold neatly to store or use as spotting or assist platform. All seams double sewn. Velcro on each end so mats can be attached together.



www.stackhouseathletic.com

SCALE: NTS



URETHANE FOLDING MAT

DATE: 2-09

SPECIFICATION DRAWING

DRAWN BY: S.L.

Phone: (503) 363-1840 Toll Free: (800) 285-3604  
 Fax: (503) 363-0511 www.stackhouseathletic.com

SHEET 1 of 1

PRODUCT CODE: UFM

DWG: UFM SPEC-09