

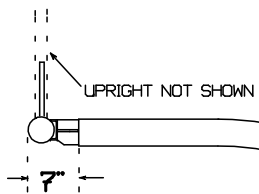
INSTALLATION INSTRUCTIONS FOR:
 SEMI-PERMANENT "GOOSE NECK" GOAL POSTS
 ALUMINUM MODELS - F8GPH-AL AND F8GP20-AL
 8 FT OFFSET GOOSENECK
TOP PLATE TO BE SET AT 8" BELOW GROUND LEVEL

NOTE: WE RECOMMEND INSTALLATION BE DONE BY A QUALIFIED CONTRACTOR, FAMILIAR WITH ALL CODES, LAWS, REGULATIONS, AND TRACK AND FIELD CONSTRUCTION.

1. DETERMINE OFFSET DISTANCE BY MEASURING FROM FRONT OF CROSSBAR TO CENTER OF SUPPORT POST. THIS WILL BE APPROX. 8 FEET. CHECK MEASUREMENT AS BENDS IN PIPE MAY VARY. NOTE PAGE 2
2. MEASURE FROM FRONT OF 4" END LINE. DISTANCE DETERMINED IN # 1 THIS WILL CORRESPOND TO THE CENTER OF THE HOLE TO BE DUG.
3. DIG HOLES 24" X 24" X 62" DEEP. PLANT GROUND SLEEVE ABSOLUTELY LEVEL AND 11" BELOW THE GROUND SURFACE. BE SURE GROUND PLATE IS SQUARE WITH THE FIELD LAYOUT.
4. LET CONCRETE SET UP FOR AT LEAST 4 DAYS BEFORE ERECTING GOALS.
5. BOLT GOOSENECKS INTO PLACE USING THE STUDS AND NUTS AS SHOWN. SOME ADJUSTMENTS CAN BE MADE WITH USE OF THE TWO NUTS BETWEEN THE PLATES. NOTE PAGE 3
6. NEXT, INSERT CROSSBAR INTO THE END OF THE GOOSENECK. CHECK THAT CROSSBAR IS OVER END LINE. TO MAKE ADJUSTMENTS, SLIDE CROSSBAR IN OR OUT. USING A LEVEL ON THE CROSSBAR, DRILL OUT HOLES FOR THE 1/2" X 6" HEX BOLTS WITH LOCK NUTS. NOTE PAGE 4
7. DOUBLE CHECK FOR LEVEL BEFORE TIGHTENING THE BOLTS
8. INSTALL UPRIGHTS. TIGHTEN SET SCREWS (3/8" X 1" HEX BOLTS).
9. FILL , OR COVER HOLE AROUND THE GOOSENECKS TO BRING IT UP TO THE LEVEL OF THE PLAYING FIELD

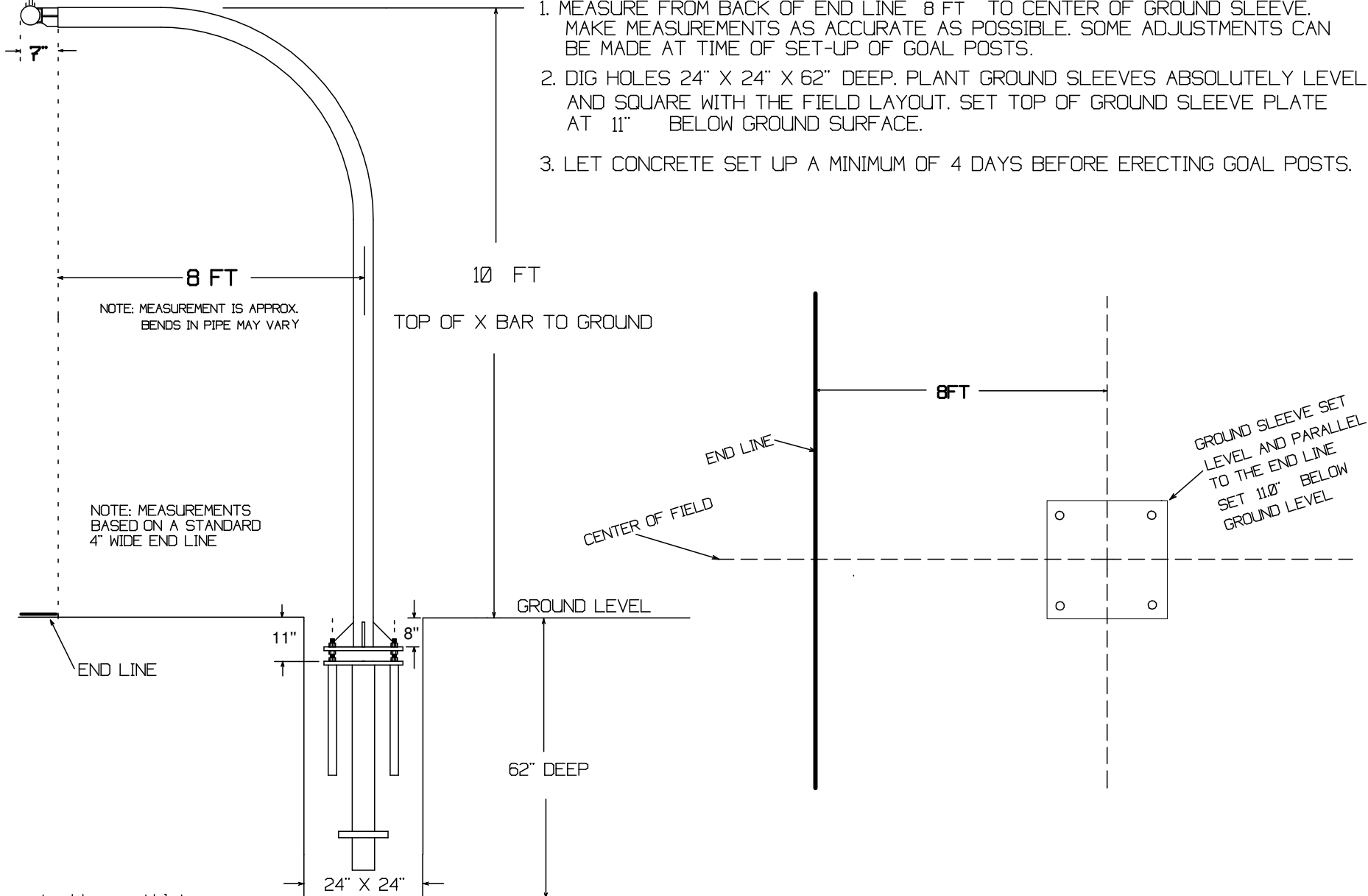
www.stackhouseathletic.com

 <p>Phone: (503) 363-1840 Toll Free: (800) 285-3604 Fax: (503) 363-0511 www.stackhouseathletic.com</p>	ALUMINUM GOAL POSTS WITH 8FT OFFSET		DATE: 11-08
	INSTALLATION DRAWING		DRAWN BY: S.L.
	PAGE 1 of 4	PRODUCT CODE: F8GPH-AL/F8GP20-AL	DWG: 8FT INSTALL PG1-REV-08



INSTALLATION INSTRUCTIONS FOR FOOTBALL GOAL POST GROUND SLEEVES.
SEMI-PERMANENT MODELS - ALUMINUM, WITH 8FT OFFSET

1. MEASURE FROM BACK OF END LINE 8 FT TO CENTER OF GROUND SLEEVE. MAKE MEASUREMENTS AS ACCURATE AS POSSIBLE. SOME ADJUSTMENTS CAN BE MADE AT TIME OF SET-UP OF GOAL POSTS.
2. DIG HOLES 24" X 24" X 62" DEEP. PLANT GROUND SLEEVES ABSOLUTELY LEVEL AND SQUARE WITH THE FIELD LAYOUT. SET TOP OF GROUND SLEEVE PLATE AT 11" BELOW GROUND SURFACE.
3. LET CONCRETE SET UP A MINIMUM OF 4 DAYS BEFORE ERECTING GOAL POSTS.



www.stackhouseathletic.com



Phone: (503) 363-1840 Toll Free: (800) 285-3604
Fax: (503) 363-0511 www.stackhouseathletic.com

ALUMINUM FOOTBALL GOAL POSTS WITH 8FT OFFSET

GROUND SLEEVE INSTALLATION INSTRUCTIONS

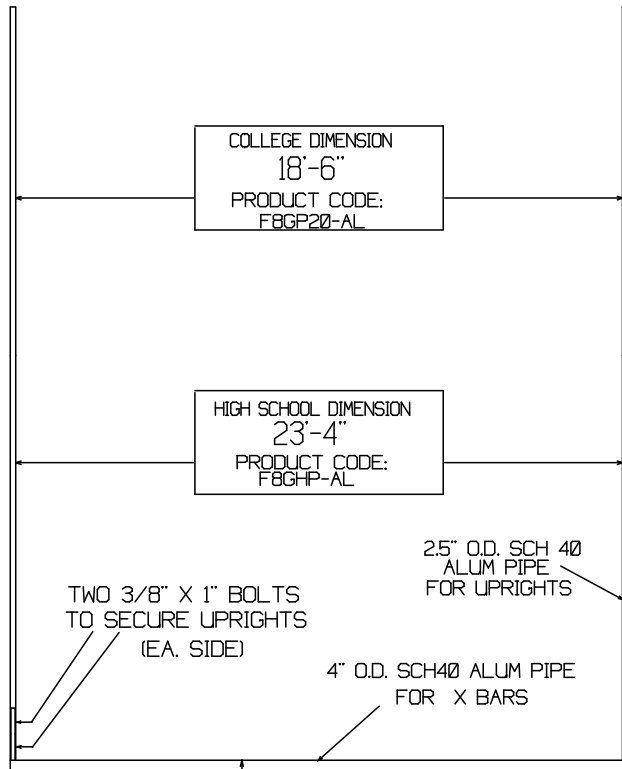
PAGE 2 of 4

PRODUCT CODE:F8GPH-AL/F8GP20-AL

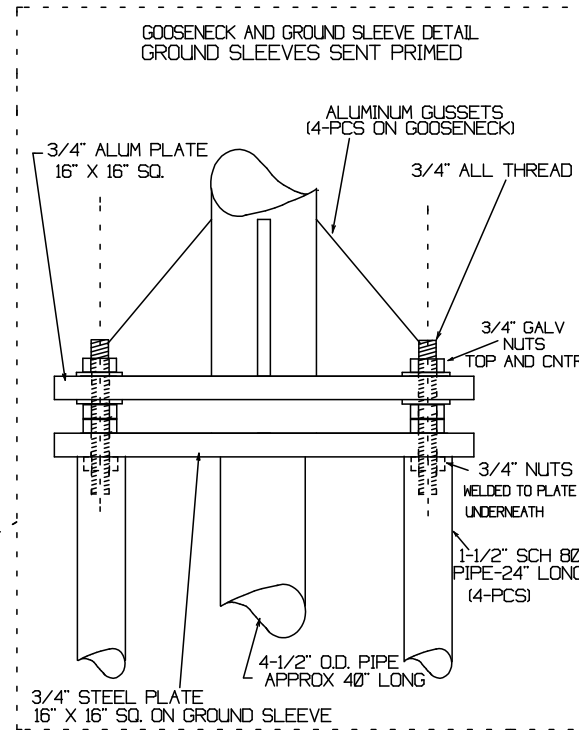
DATE: 11-08

DRAWN BY: S.L.

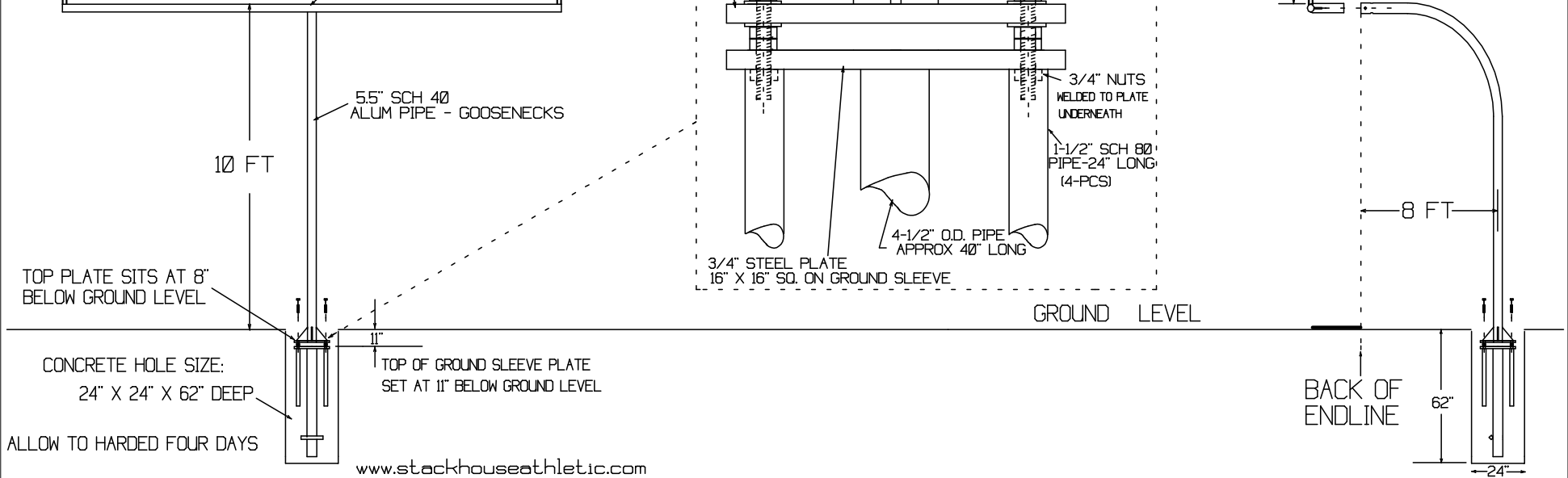
DWG:8FT INSTALL PG2-REV-08



GOOSENECK GOAL FINISH:
POWDERCOAT - WHITE OR YELLOW



20FT UPRIGHTS
FOR H.S. AND COLLEGE



www.stackhouseathletic.com

STACKHOUSE
athletic equipment

Phone: (503) 363-1840 Toll Free: (800) 285-3604
Fax: (503) 363-0511 www.stackhouseathletic.com

ALUMINUM GOAL POSTS WITH 8FT OFFSET

INSTALLATION DRAWING

PAGE 3 of 4

PRODUCT CODE: F8GPH-AL/F8GP20-AL

DATE: 11-08

DRAWN BY: S.L.

DWG: INSTALL3-REV-08

ASSEMBLY NOTE:
 AFTER X BAR IS INSTALLED
 AND LEVELED, CUSTOMER WILL
 NEED TO DRILL FOR THRU
 BOLTS ON SITE.

DRILL THRU PIPE FOR
 1/2"X6 BOLT W/ LOCK NUT
 TOP AND SIDES OF GOOSNECK

DRILL THRU PIPE FOR
 1/2"X6" BOLT W/ LOCK NUT
 TOP AND SIDES OF GOOSNECK

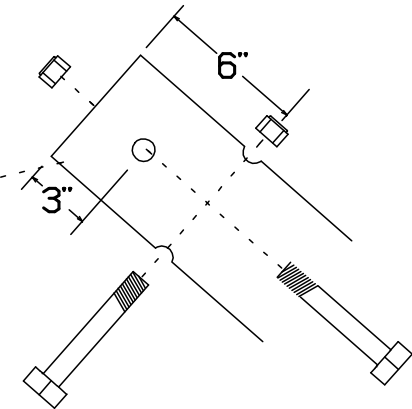
3/8 X 1 HEX
 SET SCEWS-4 PER
 GOAL

2-ALUM GUSSETS
 EA. SIDE

UPRIGHTS TAPPED
 FOR 3/8 SET
 SCREWS

4" ALUM CHANNEL

1/2 X 6 HEX BOLTS
 AND NYLOCK NUTS
 2-PCS PER GOAL



GOOSENECK

8 FT
 OFFSET

www.stackhouseathletic.com

STACKHOUSE

athletic equipment

Phone: (503) 363-1840 Toll Free: (800) 285-3604

Fax: (503) 363-0511 www.stackhouseathletic.com

ALUMINUM GOAL POSTS WITH 8FT OFFSET

INSTALLATION DRAWING

DATE: 11-08

DRAWN BY: S.L.

PAGE 4 of 4

PRODUCT CODE: F8GPH-AL/F8GP20-AL

DWG: 8FT ASSEMBLY PG4-REV-08