

INSTALLATION INSTRUCTIONS FOR:  
 SEMI-PERMANENT "GOOSE NECK" GOAL POSTS  
 ALUMINUM MODELS - FGPH-AL AND FGP20-AL  
 5 FT OFFSET GOOSENECK  
TOP PLATE TO BE SET AT 8" BELOW GROUND LEVEL

**NOTE: WE RECOMMEND INSTALLATION BE DONE BY A QUALIFIED CONTRACTOR, FAMILIAR WITH ALL CODES, LAWS, REGULATIONS, AND TRACK AND FIELD CONSTRUCTION.**

1. DETERMINE OFFSET DISTANCE BY MEASURING FROM FRONT OF CROSSBAR TO CENTER OF SUPPORT POST. THIS WILL BE APPROX. 8 FEET. CHECK MEASUREMENT AS BENDS IN PIPE MAY VARY. NOTE PAGE 2
2. MEASURE FROM FRONT OF 4" END LINE, DISTANCE DETERMINED IN # 1 THIS WILL CORRESPOND TO THE CENTER OF THE HOLE TO BE DUG.
3. DIG HOLES 24" X 24" X 62" DEEP. PLANT GROUND SLEEVE ABSOLUTELY LEVEL AND 11" BELOW THE GROUND SURFACE. BE SURE GROUND PLATE IS SQUARE WITH THE FIELD LAYOUT.
4. LET CONCRETE SET UP FOR AT LEAST 4 DAYS BEFORE ERECTING GOALS.
5. BOLT GOOSENECKS INTO PLACE USING THE STUDS AND NUTS AS SHOWN. SOME ADJUSTMENTS CAN BE MADE WITH USE OF THE TWO NUTS BETWEEN THE PLATES. NOTE PAGE 3
6. NEXT, INSERT CROSSBAR INTO THE END OF THE GOOSENECK, CHECK THAT CROSSBAR IS OVER END LINE. TO MAKE ADJUSTMENTS, SLIDE CROSSBAR IN OR OUT. USING A LEVEL ON THE CROSSBAR, DRILL OUT HOLES FOR THE 1/2" X 6" HEX BOLTS WITH LOCK NUTS. NOTE PAGE 4
7. DOUBLE CHECK FOR LEVEL BEFORE TIGHTENING THE BOLTS
8. INSTALL UPRIGHTS. TIGHTEN SET SCREWS (3/8" X 1" HEX BOLTS).
9. FILL , OR COVER HOLE AROUND THE GOOSENECKS TO BRING IT UP TO THE LEVEL OF THE PLAYING FIELD

**STACKHOUSE**

athletic equipment

Phone: (503) 363-1840 Toll Free: (800) 285-3604  
 Fax: (503) 363-0511 www.stackhouseathletic.com

ALUMINUM GOAL POSTS WITH 5FT OFFSET

INSTALLATION DRAWING

PAGE 1 of 4

PRODUCT CODE: FGPH-AL/FGP20-AL

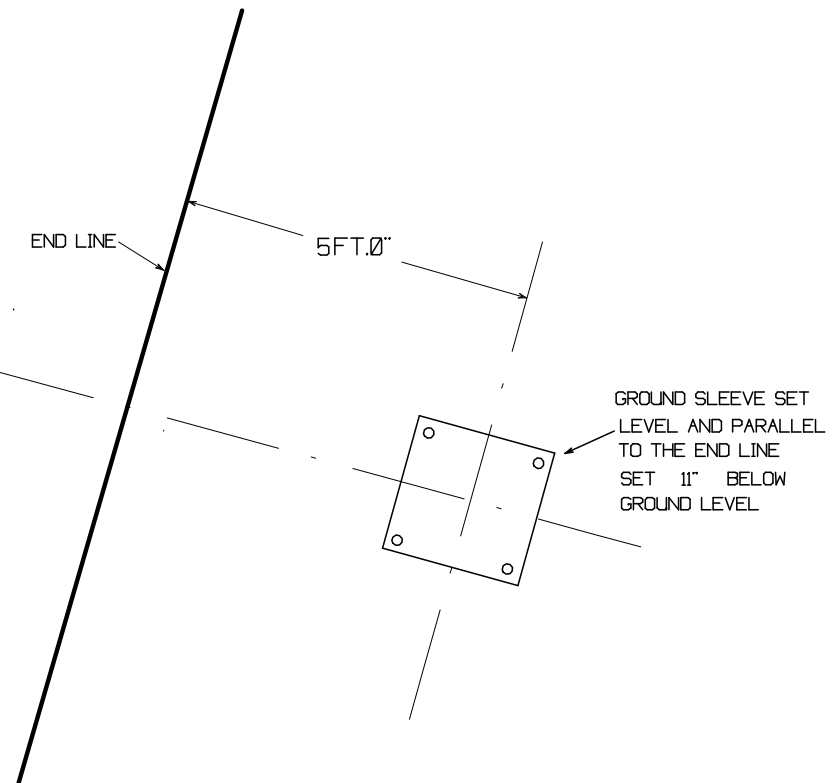
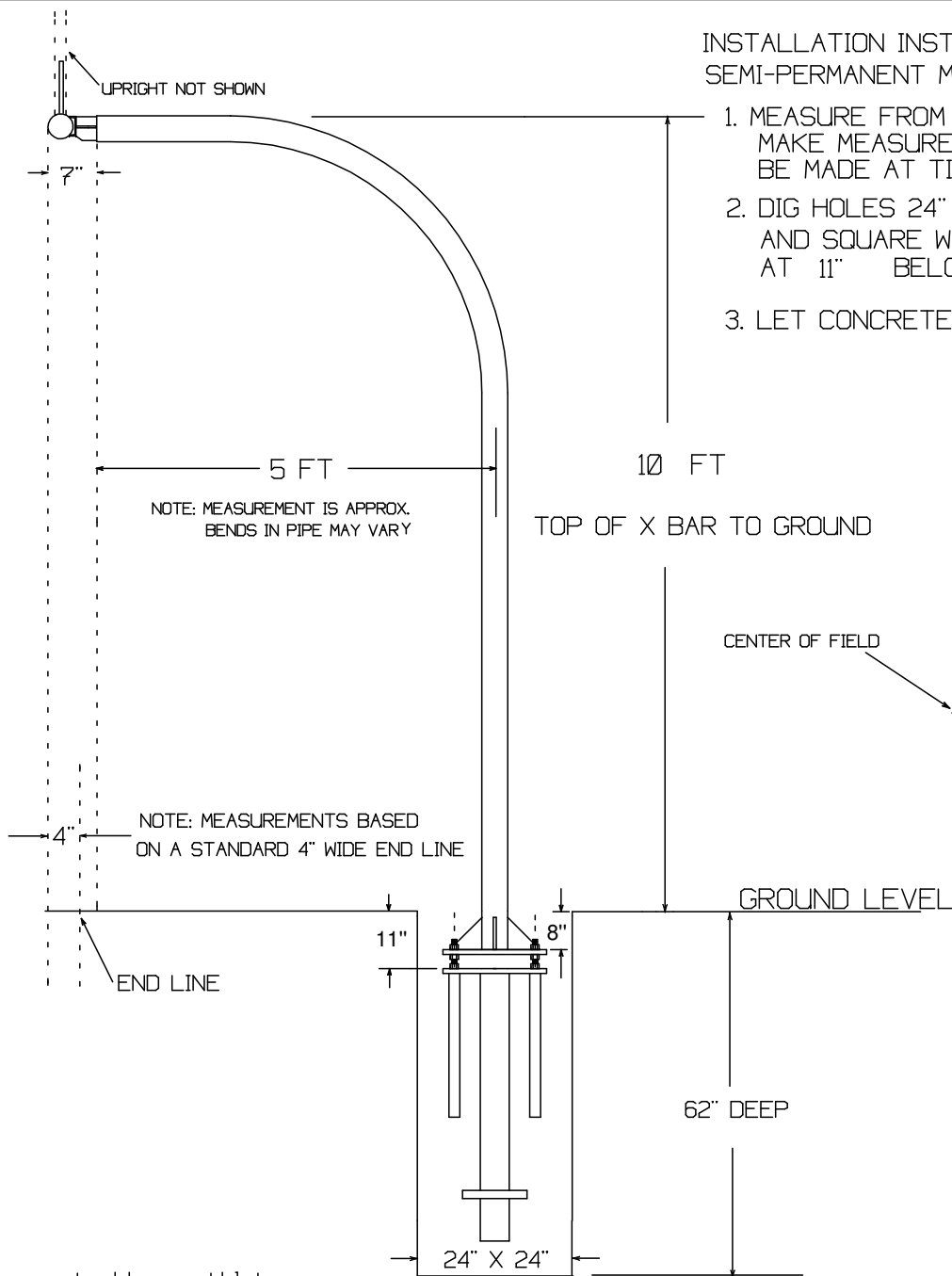
DATE: 11-08

DRAWN BY: S.L.

DWG: FGPH-AL/FGP20-AL-INST-REV-08

INSTALLATION INSTRUCTIONS FOR FOOTBALL GOAL POST GROUND SLEEVES.  
SEMI-PERMANENT MODELS - ALUMINUM, WITH 5FT OFFSET

1. MEASURE FROM BACK OF END LINE 5 FT TO CENTER OF GROUND SLEEVE. MAKE MEASUREMENTS AS ACCURATE AS POSSIBLE. SOME ADJUSTMENTS CAN BE MADE AT TIME OF SET-UP OF GOAL POSTS.
2. DIG HOLES 24" X 24" X 62" DEEP. PLANT GROUND SLEEVES ABSOLUTELY LEVEL AND SQUARE WITH THE FIELD LAYOUT. SET TOP OF GROUND SLEEVE PLATE AT 11" BELOW GROUND SURFACE.
3. LET CONCRETE SET UP A MINIMUM OF 4 DAYS BEFORE ERECTING GOAL POSTS.



www.stackhouseathletic.com

SCALE: NTS



Phone: (503) 363-1840 Toll Free: (800) 285-3604  
Fax: (503) 363-0511 www.stackhouseathletic.com

ALUMINUM FOOTBALL GOAL POSTS WITH 5FT OFFSET

GROUND SLEEVE INSTALLATION INSTRUCTIONS

DATE: 11-08

DRAWN BY: S.L.

PAGE 2 of 4

PRODUCT CODE: FGPH-AL/FGP20-AL

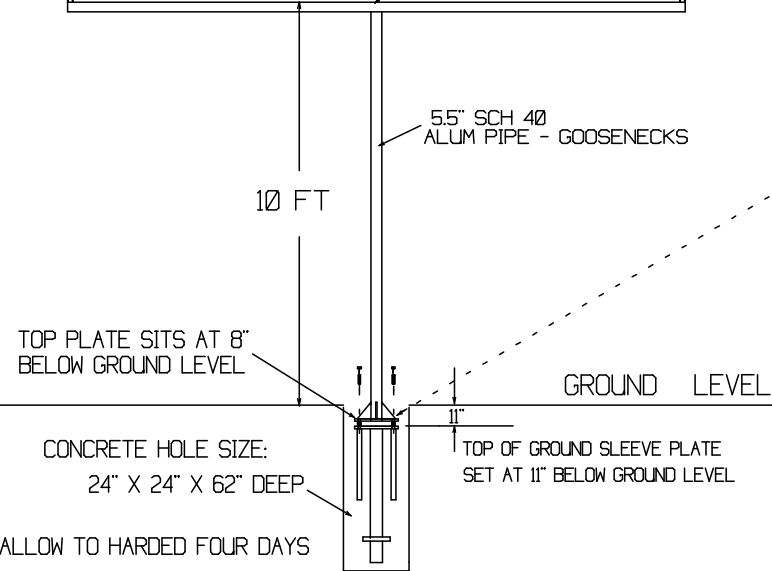
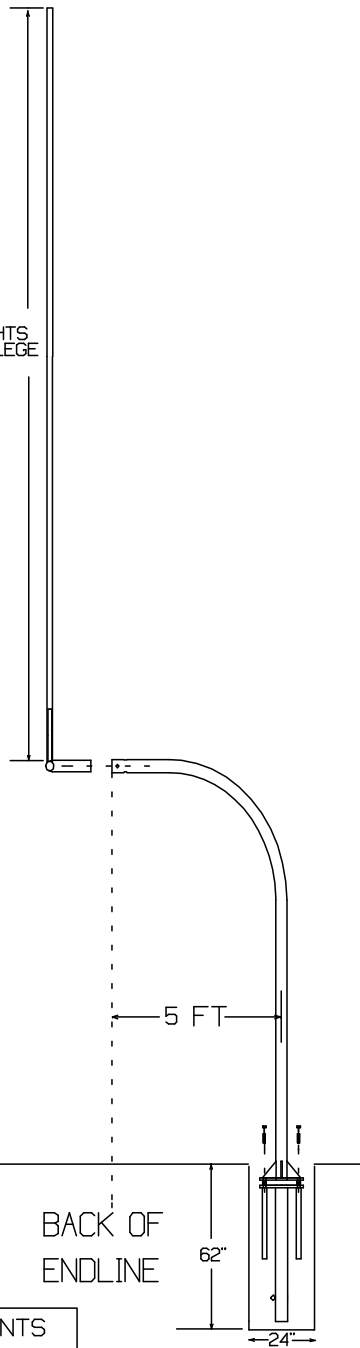
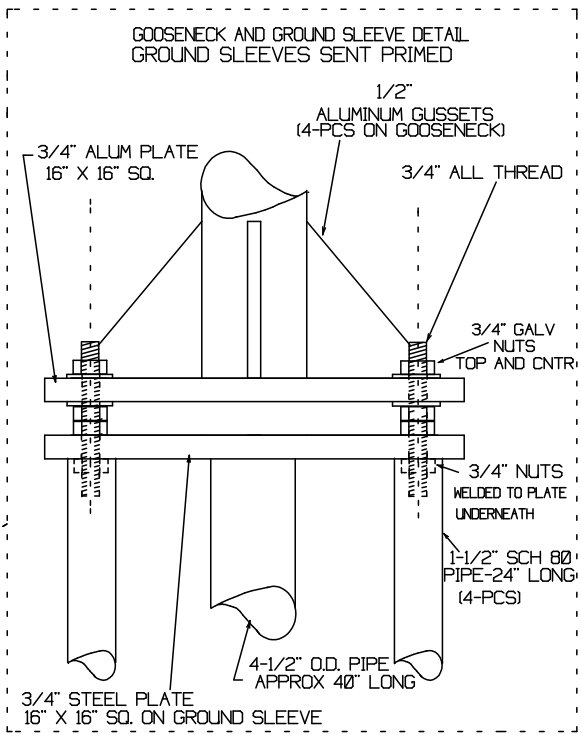
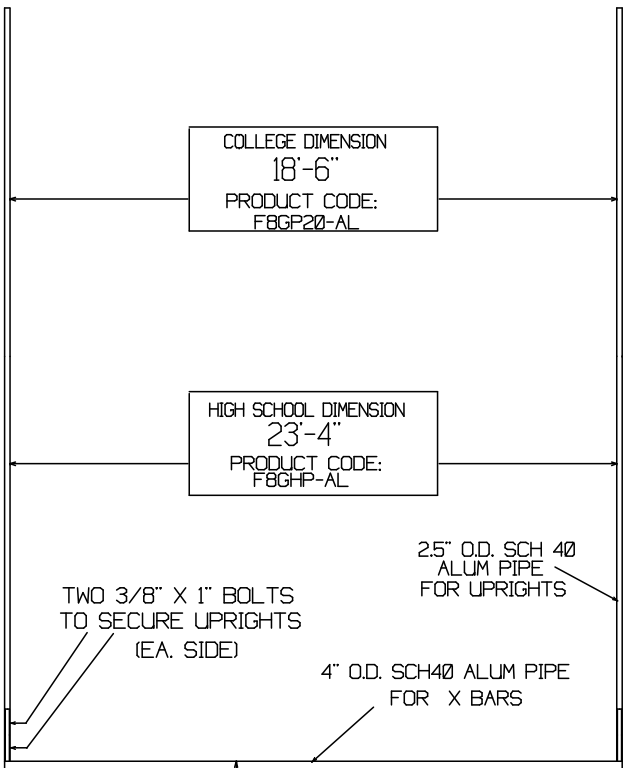
DWG:FGPH-AL-FGP20-AL-PG2-REV-08

GOOSENECK GOAL FINISH:  
POWDERCOAT - WHITE OR YELLOW

20FT UPRIGHTS  
FOR H.S. AND COLLEGE

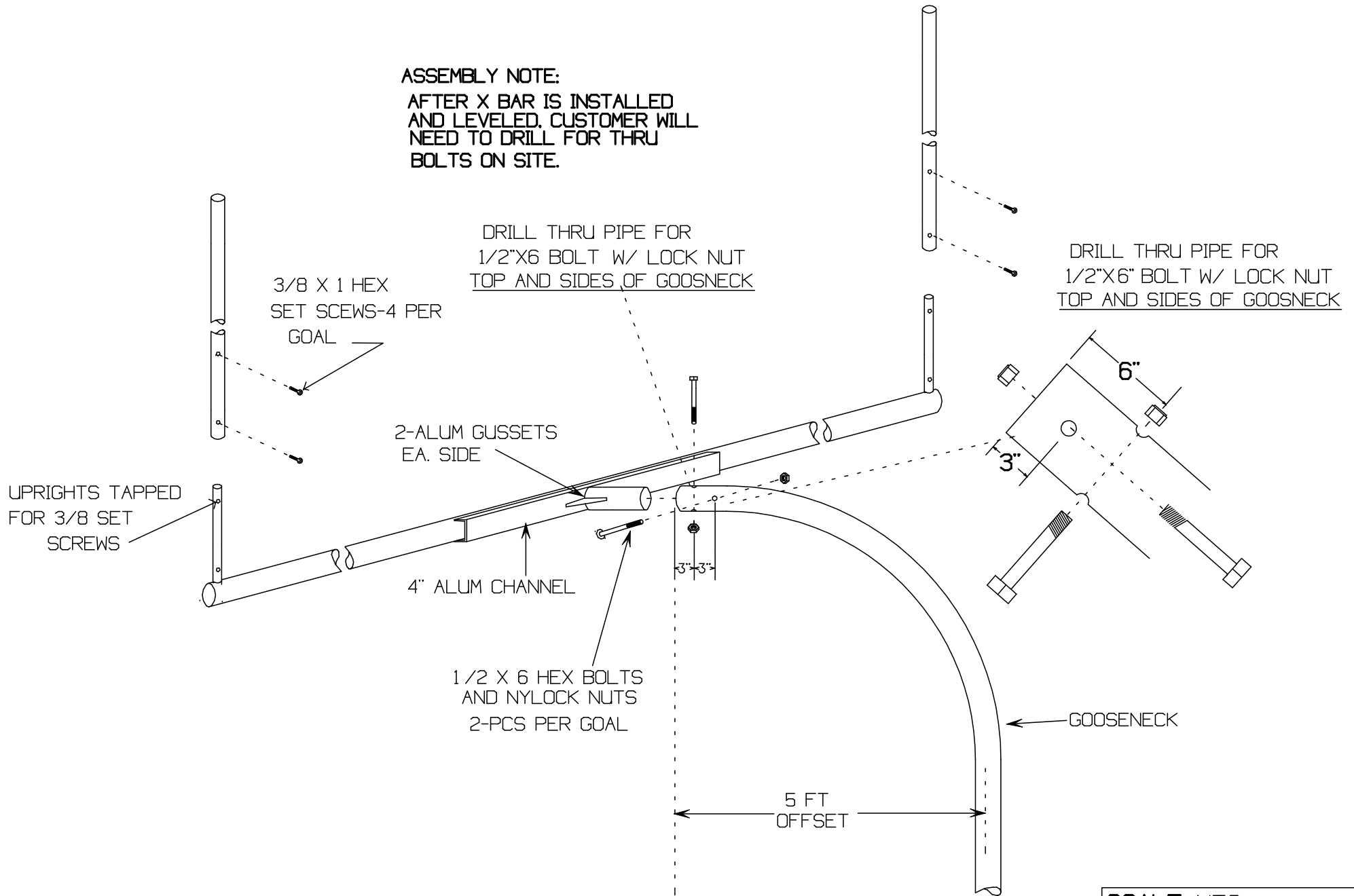
COLLEGE DIMENSION  
18'-6"  
PRODUCT CODE:  
F8GP20-AL

HIGH SCHOOL DIMENSION  
23'-4"  
PRODUCT CODE:  
F8GHP-AL



SCALE: NTS

**ASSEMBLY NOTE:**  
 AFTER X BAR IS INSTALLED  
 AND LEVELED, CUSTOMER WILL  
 NEED TO DRILL FOR THRU  
 BOLTS ON SITE.



SCALE: NTS

**STACKHOUSE**

athletic equipment

Phone: (503) 363-1840 Toll Free: (800) 285-3604

Fax: (503) 363-0511 www.stackhouseathletic.com

ALUMINUM GOAL POSTS WITH 5FT OFFSET

INSTALLATION DRAWING

PAGE 4 of 4

PRODUCT CODE: FGPH-AL/FGP20-AL

DATE: 11-08

DRAWN BY: S.L.

DWG:FGPH-AL-FGP20-AL-PG4-REV-08