

SOSG SOCCER GOAL INSTALLATION INSTRUCTIONS

(FOLLOW THESE INSTRUCTIONS CAREFULLY)

NOTE: WE RECOMMEND INSTALLATION BE DONE BY A QUALIFIED CONTRACTOR, FAMILIAR WITH ALL CODES, LAWS, REGULATIONS, AND TRACK AND FIELD CONSTRUCTION.

- 1- PLACE ASSEMBLED GOALS IN DESIRED LOCATION. (BE EXACT).
- 2- USING A LARGE NAIL, LOCATE AND DRIVE INTO GROUND IN CENTER OF HOLE ON ANCHOR TABS ON REAR CROSS BAR.
- 3- TIP GOAL ONTO ITS FACE. (USE EXTREME CAUTION. DO NOT ALLOW ANYONE IN FRONT OF THE GOAL. DO ALL WORK FOR THIS STEP FROM BEHIND GOAL). (OPTION, MOVE TO ONE SIDE AND BLOCK UP REAR OF GOAL TO ATTACH GROUND ANCHORS).
- 4- DIG HOLES CENTERED ON NAIL WITH POST HOLE DIGGER, APPROX 6-8" DIA. AND 15" DEEP.
- 5- ATTACH ANCHORS TO GOAL AND PADLOCK IN PLACE.
- 6- TIP GOAL BACK TO THE UPRIGHT POSITION.
- 7- MAKE SURE ANCHORS ARE POSITIONED IN THE CENTER OF THE HOLES.
- 8- POUR CONCRETE INTO HOLES UP TO THE TOP OF THE SQUARE TUBE
DO NOT ALLOW CONCRETE TO GO INSIDE TUBE.
- 9- POST SIGN WARNING NOT TO USE UNTILL DATE NOTED (3 DAYS MINIMUM).

www.stackhouseathletic.com

SCALE:

DATE: 12-08

DRAWN BY: S.L.

DWG: SOSG INST PG1-REV-08

STACKHOUSE
athletic equipment

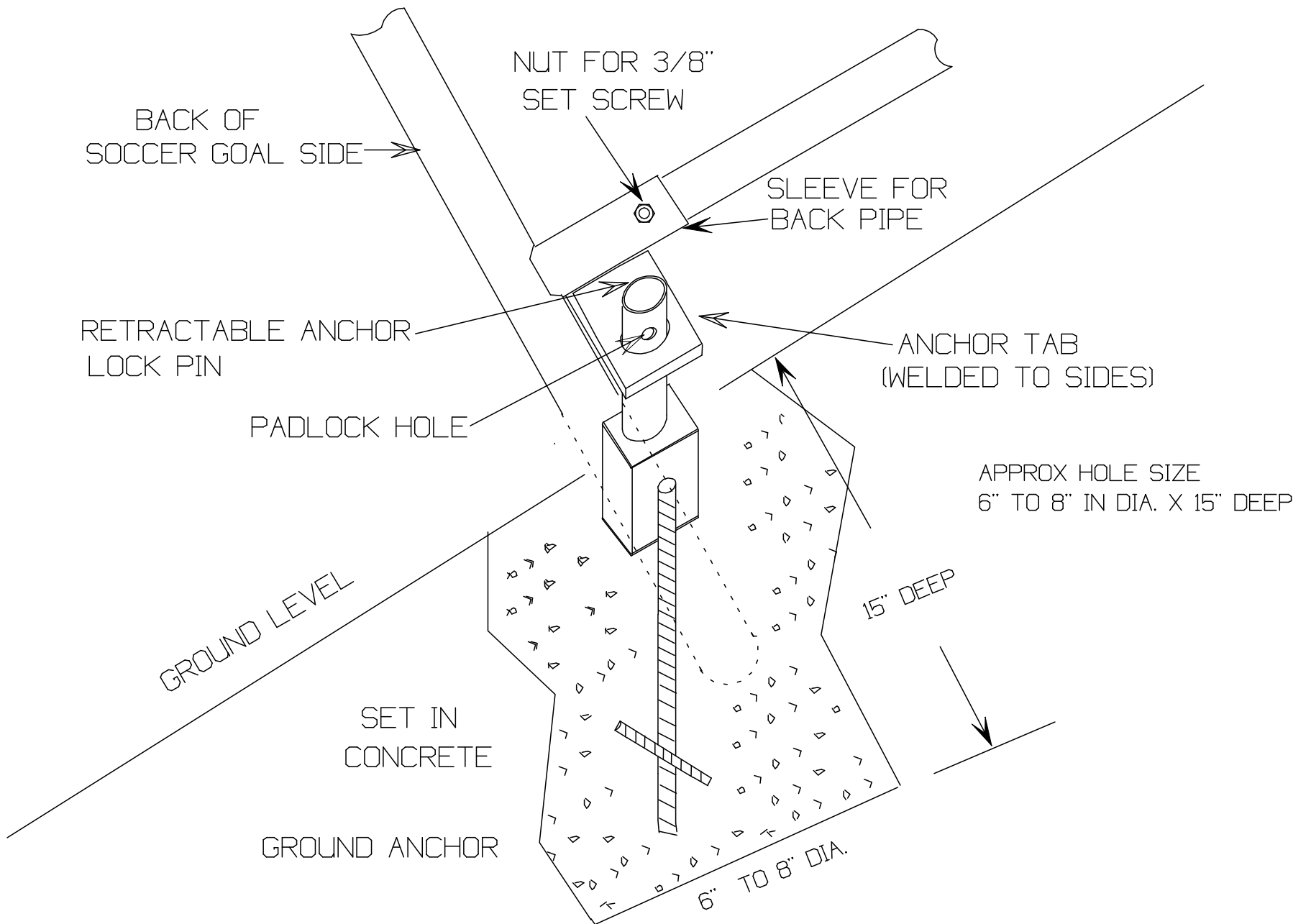
Phone: (503) 363-1840 Toll Free: (800) 285-3604
Fax: (503) 363-0511 www.stackhouseathletic.com

OFFICIAL SOCCER GOALS - ALL STEEL

INSTALLATION AND SET UP INSTRUCTIONS

PAGE: 1 of 4

PRODUCT CODE: SOSG



NOTE: WE RECOMMEND INSTALLATION BE DONE BY A QUALIFIED CONTRACTOR, FAMILIAR WITH ALL CODES, LAWS, REGULATIONS, AND TRACK AND FIELD CONSTRUCTION.

www.stackhouseathletic.com

SCALE: NTS

STACKHOUSE
athletic equipment

OFFICIAL SOCCER GOALS - ALL STEEL

DATE: 12-08

GROUND ANCHOR INSTALLATION DRAWING

DRAWN BY: S.L.

Phone: (503) 363-1840 Toll Free: (800) 285-3604
Fax: (503) 363-0511 www.stackhouseathletic.com

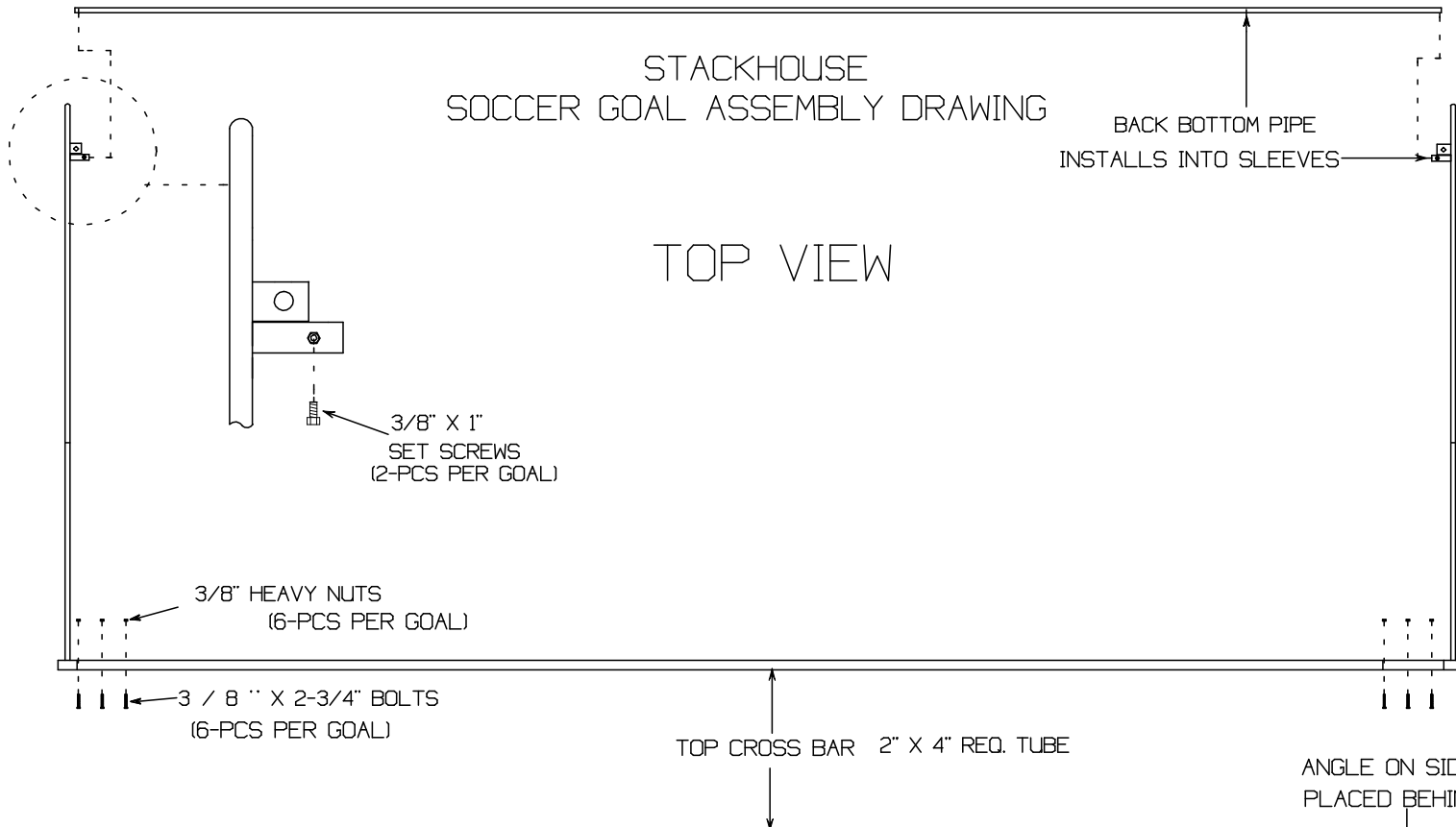
PAGE: 2 of 4

PRODUCT CODE: SOSG

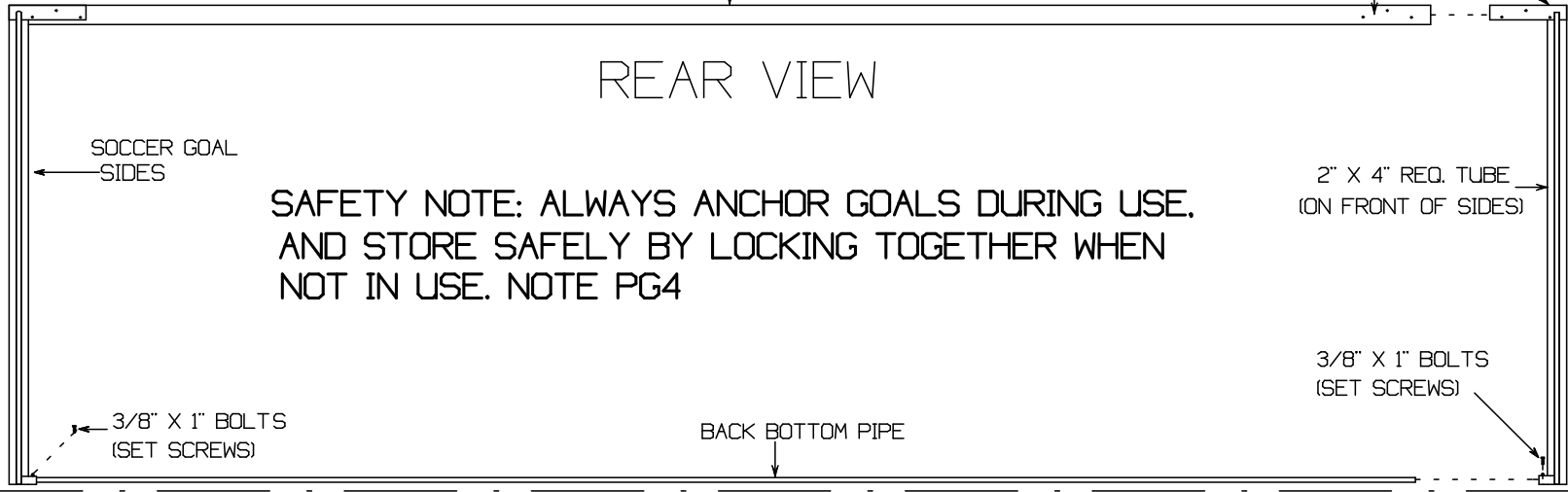
DWG: SOSG INST PG2-REV-08

STACKHOUSE
SOCCER GOAL ASSEMBLY DRAWING

TOP VIEW



REAR VIEW



SAFETY NOTE: ALWAYS ANCHOR GOALS DURING USE,
AND STORE SAFELY BY LOCKING TOGETHER WHEN
NOT IN USE. NOTE PG4

www.stackhouseathletic.com

SCALE: NTS



Phone: (503) 363-1840 Toll Free: (800) 285-3604
Fax: (503) 363-0511 www.stackhouseathletic.com

OFFICIAL SOCCER GOALS - ALL STEEL

DATE: 12-08

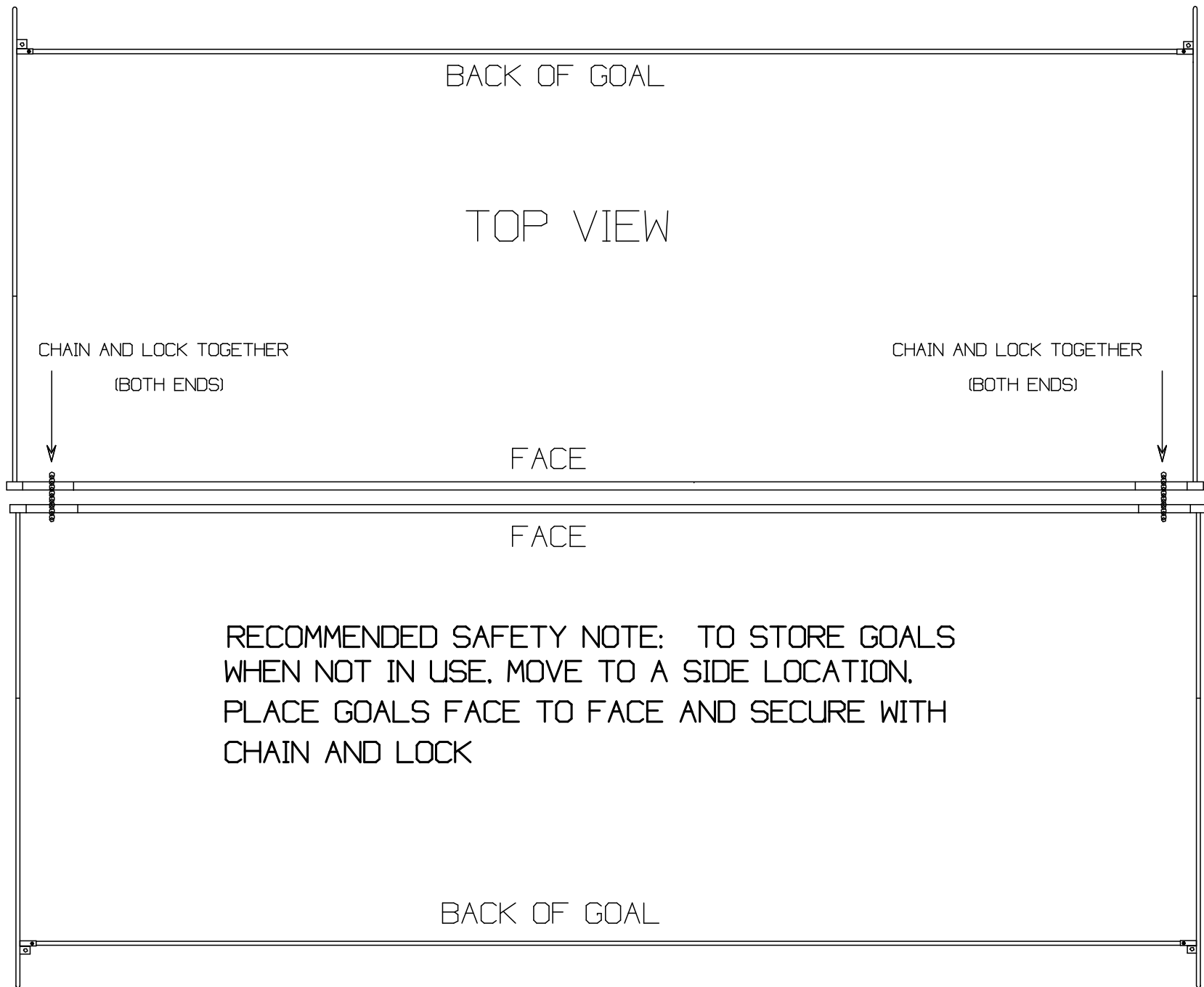
INSTALL/ASSEMBLY DRAWING

DRAWN BY: S.L.

PAGE: 3 of 4

PRODUCT CODE: SOSG

DWG:SOSG INSTALL PG3-REV-08



www.stackhouseathletic.com

SCALE: NTS



Phone: (503) 363-1840 Toll Free: (800) 285-3604
 Fax: (503) 363-0511 www.stackhouseathletic.com

OFFICIAL SOCCER GOALS - ALL STEEL

SAFE STORAGE DRAWING

PAGE: 4 of 4

PRODUCT CODE: SOSG

DATE: 12-08

DRAWN BY: S.L.

DWG: SOSG INSTALL PG4-REV-08