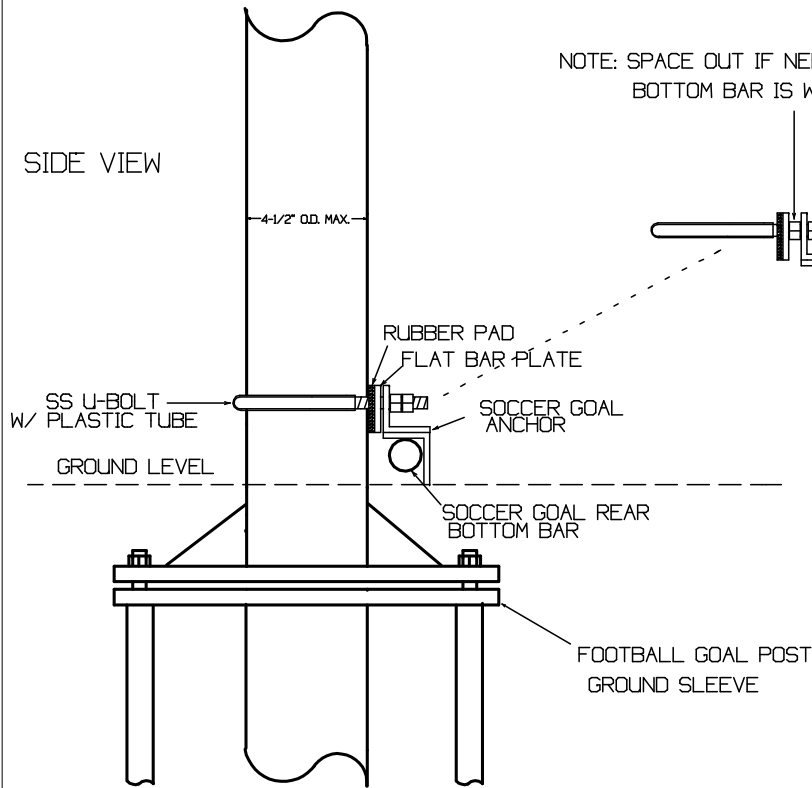


INSTALLATION INSTRUCTIONS:

1. CENTER SOCCER GOALS BACK BOTTOM BAR WITH FOOTBALL GOAL POST UPRIGHT.
2. PLACE U-BOLT AND FLAT BAR PLATE ON GOOSENECK, WITH RUBBER PAD FACING UPRIGHT (TO PROTECT FINISH).
3. PLACE SOCCER GOAL ANCHOR OVER BOTTOM BAR, AND SECURE TO GOAL POST AS SHOWN.

NOTE: SPACE OUT IF NEEDED WITH EXTRA NUT IF BOTTOM BAR IS WIDER THAN 2".

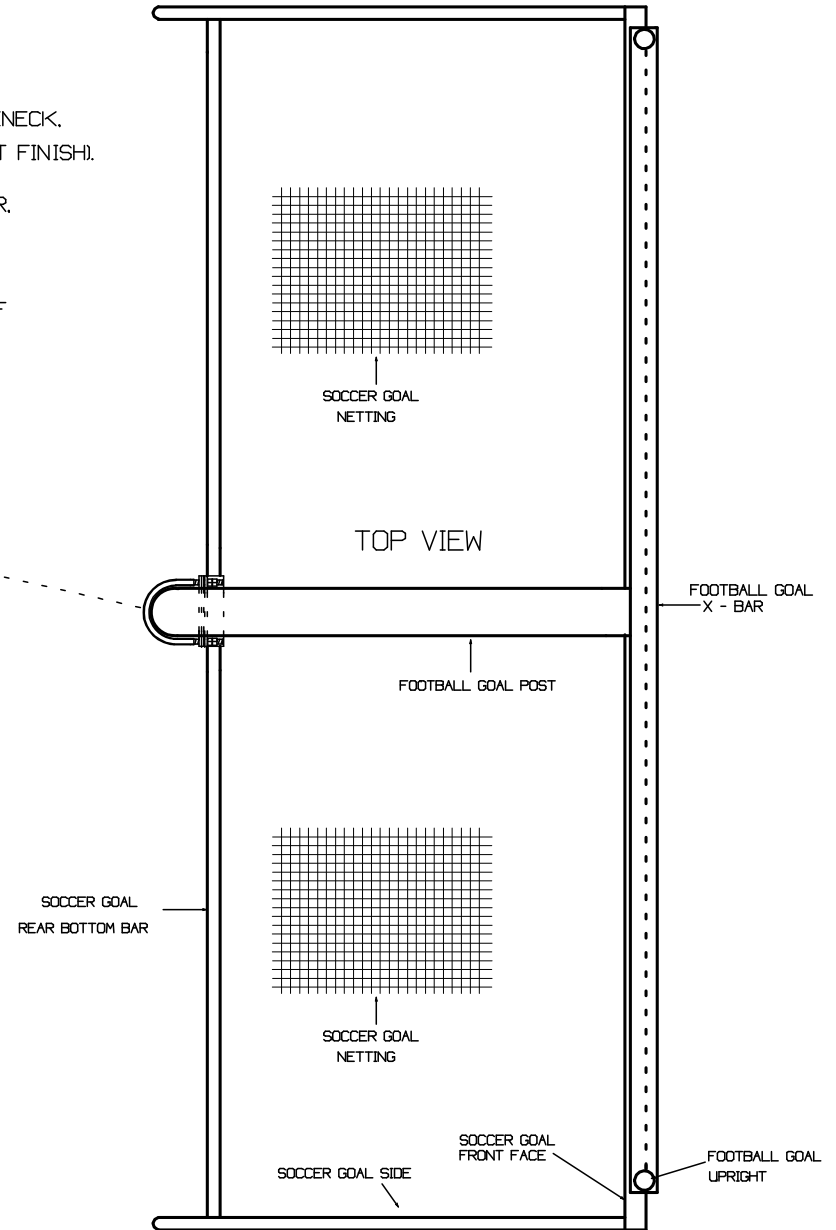
SIDE VIEW



NOTE: STACKHOUSE SEMI-PERMANENT GOOSENECK GOAL SHOWN

NOTE: THESE INSTRUCTIONS ARE FOR ALL GOOSENECK UPRIGHTS 4-1/2\"/>

TOP VIEW



www.stackhouseathletic.com

SCALE: NTS

STACKHOUSE
athletic equipment

SOCCER/FOOTBALL GOAL ANCHOR BRACKET

DATE: 2-09

FIELD LAYOUT/INSTALLATION DRAWING

DRAWN BY: S.L.

Phone: (503) 363-1840 Toll Free: (800) 285-3604
Fax: (503) 363-0511 www.stackhouseathletic.com

PAGE 1 of 1

PRODUCT CODE: SSFAB4.5

DWG: SSFAB4.5- INSTALL-09