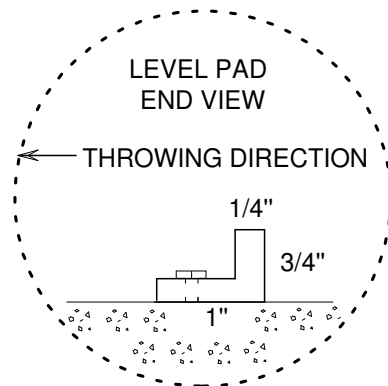
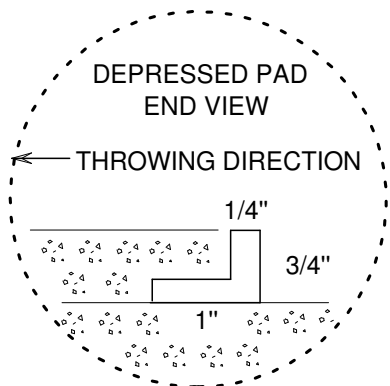
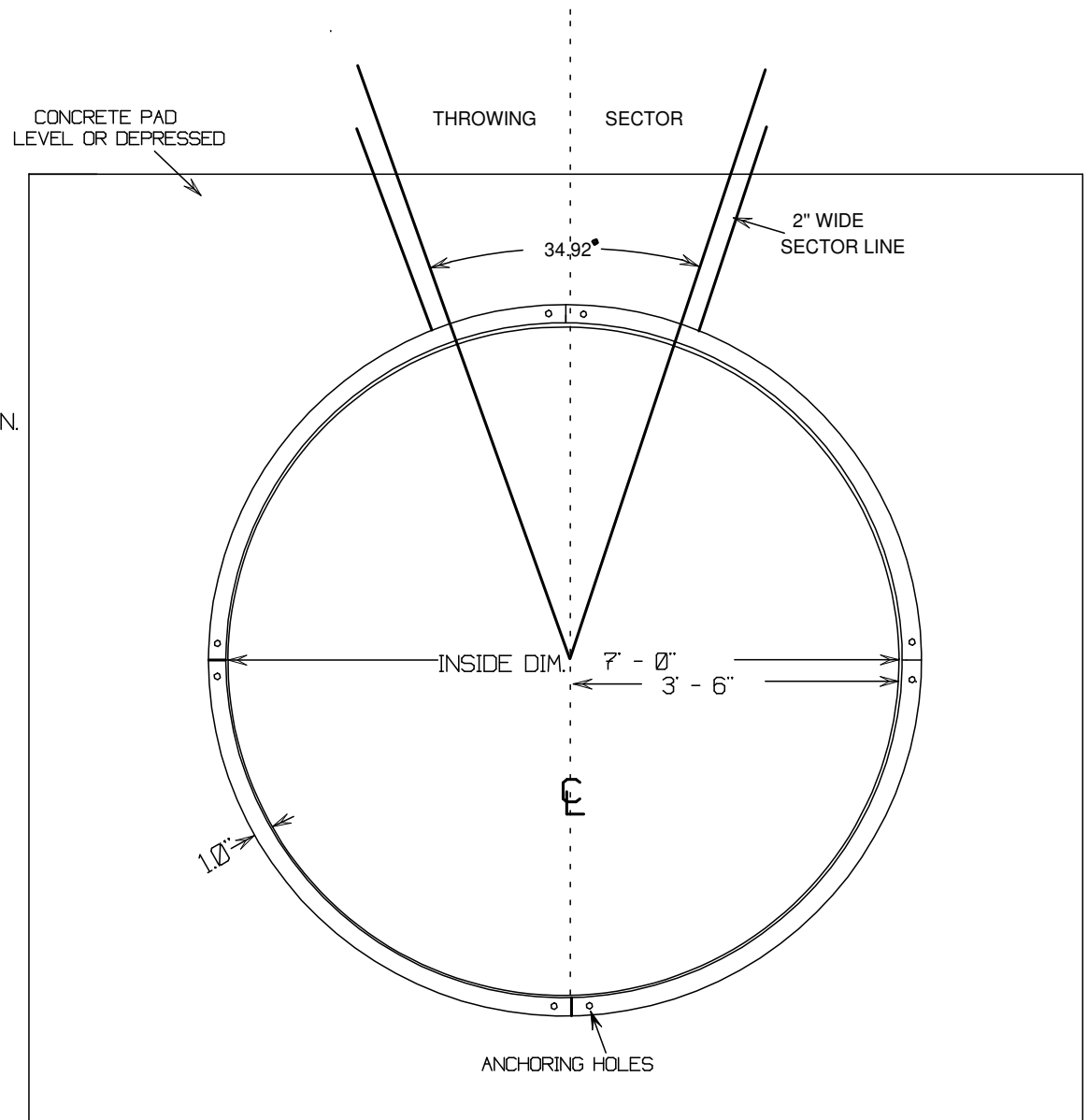


INSTALLATION DRAWING FOR THE ALUMINUM
SHOT CIRCLE ON A LEVEL OR DEPRESSED PAD.
STACKHOUSE PRODUCT CODE- TASR

RING CONSTRUCTED OF 1/4" X 1" X 3/4" ALUM ANGLE

INSTALLATION NOTES:

1. CONSULT CURRENT TRACK AND FIELD RULES AND REGULATIONS.
2. CHECK ALL APPLICABLE CODES AND REGULATIONS PERTAINING TO INSTALLATION.
3. DRAWING IS FOR ILLUSTRATION PURPOSES ONLY. ALL INSTALLATIONS SHOULD BE DONE BY A QUALIFIED CONTRACTOR FAMILIAR WITH TRACK AND FIELD CONSTRUCTION.
4. RING CAN BE MOUNTED DIRECTLY ON TOP OF AN EXISTING LEVEL PAD. OR INSTALLED IN A 3/4" DEEP DEPRESSED PAD.
5. PLACE CIRCLE TO CONFORM TO THROWING SECTOR
6. MARK AND DRILL FOR CONCRETE ANCHORS. (NOT PROVIDED)



www.stackhouseathletic.com

STACKHOUSE
athletic equipment

Phone: (503) 363-1840 Toll Free: (800) 285-3604
Fax: (503) 363-0511 www.stackhouseathletic.com

ALL ALUMINUM SHOT CIRCLE - IAAF CERTIFIED

INSTALLATION DRAWING

PAGE: 1 of 1

PRODUCT CODE: TASR

SCALE: NTS

DATE: 12-08

DRAWN BY: S.L.

DWG: TASR INSTALL-REV-08