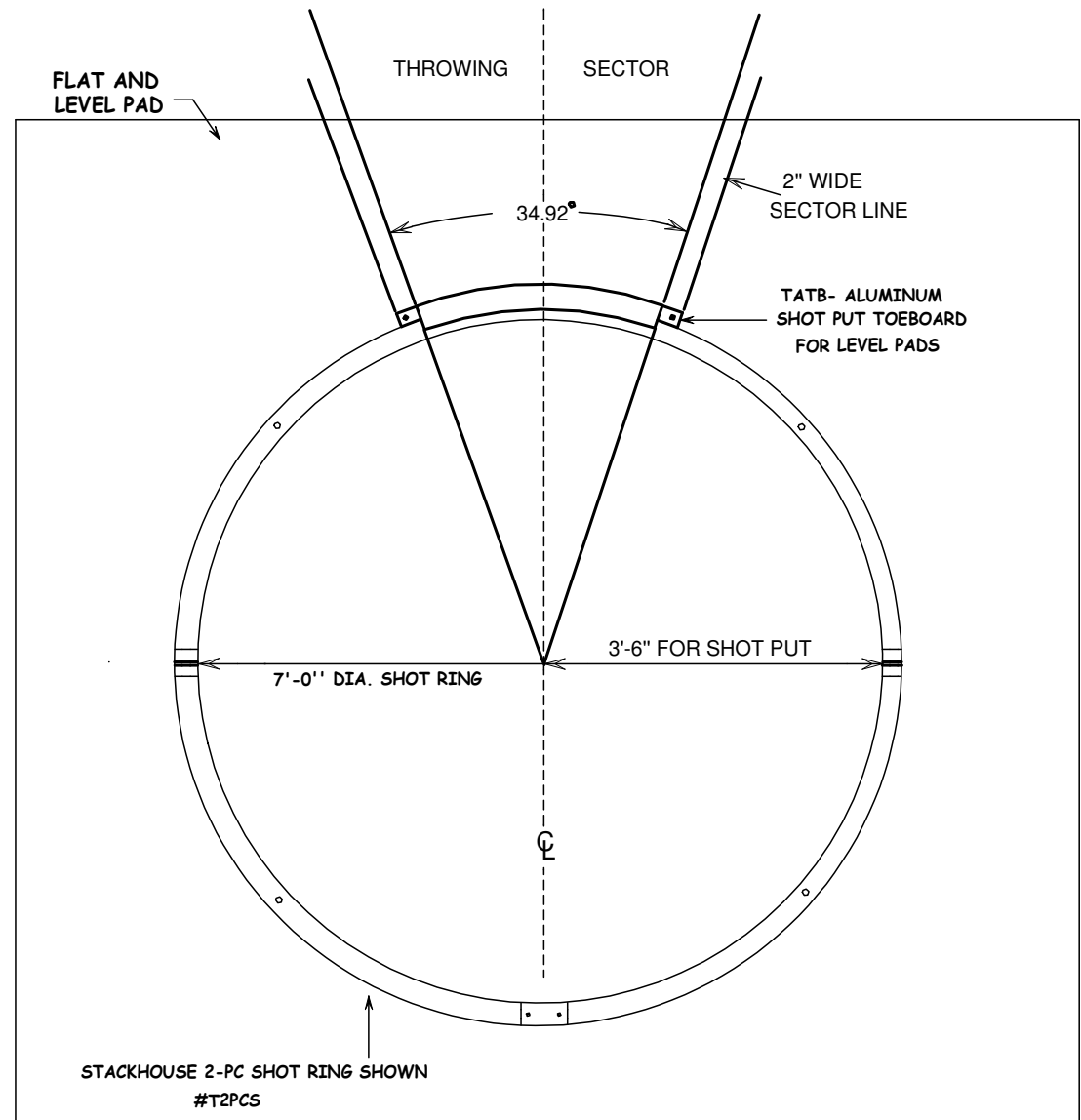
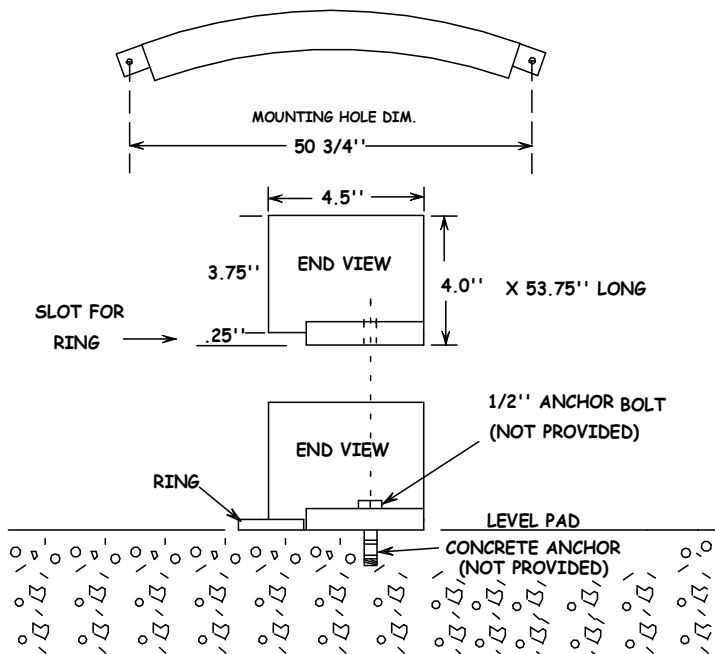


INSTALLATION INSTRUCTIONS FOR: CAST ALUMINUM TOEBOARD ON A FLAT LEVEL PAD. STACKHOUSE PRODUCT CODE- TATB

INSTALLATION NOTES:

1. CONSULT CURRENT TRACK AND FIELD RULE BOOK BEFORE INSTALLATION.
2. CHECK ALL APPLICABLE CODES, LAWS, AND REGULATIONS.
3. INSTALLATION SHOULD BE DONE BY A QUALIFIED CONTRACTOR.
4. MOUNT TOEBOARD OVER PROPERLY INSTALLED SHOT PUT RING, CENTERED ON A LEVEL PAD.
5. MARK, AND DRILL FOR CONCRETE ANCHORS. SECURE WITH 1/2" BOLT ON ANCHOR TABS, EACH SIDE.  
(CONCRETE ANCHORS NOT PROVIDED)



www.stackhouseathletic.com

**STACKHOUSE** athletic equipment

Phone: (503) 363-1840 Toll Free: (800) 285-3604  
Fax: (503) 363-0511 www.stackhouseathletic.com

CAST ALUMINUM TOE BOARD

INSTALLATION DRAWING

PAGE: 1 of 1

PRODUCT CODE: TATB

SCALE: NTS

DATE: 12-08

DRAWN BY: S.L.

DWG: TATB INSTALL-REV-08