

CANTILEVER DISCUS CAGE

PRODUCT CODE - THSCAN

INSTALLATION AND ASSEMBLY INSTRUCTIONS

NOTE: WE RECOMMEND INSTALLATION BE DONE BY A QUALIFIED CONTRACTOR, FAMILIAR WITH ALL CODES, LAWS, REGULATIONS, AND TRACK AND FIELD CONSTRUCTION.

1. LOCATE GROUND SLEEVE POSITIONS USING ENCLOSED DIAGRAM.
2. STAKE EACH OF THESE LOCATIONS AND CHECK THEIR POSITIONS.
3. DIG HOLES 24" DEEP X 12" IN DIAMETER.
4. POUR CONCRETE INTO HOLE. ABOUT 6" FROM TOP OF SLEEVE.
5. FORCE SLEEVE INTO CONCRETE. TOP OF SLEEVE SHOULD BE ABOUT 1" BELOW GROUND LEVEL.
6. USING A LEVEL, PLUMB EACH SLEEVE. ADD CONCRETE TO JUST BELOW TOP OF SLEEVE. KEEP CONCRETE OUT OF SLEEVE. CHECK FOR PLUMB, AND BRACE IF REQUIRED.
7. LET CONCRETE CURE ONE WEEK BEFORE USE.
8. AFTER CONCRETE HAS CURED, PLACE POLES INTO SLEEVES. PLACE GROUND ANCHORS ON THE FRONT TWO POLES AT OPENING. (TO KEEP POLES FROM TURNING INWARD.)
9. REMOVE HAMMER ON-SLEEVE ON ONE END OF CABLE, AND THREAD CABLE THROUGH GROMMETS ON LONG SIDE OF NET. REINSTALL SLEEVE AND MAKE A LOOP WITH CABLE END. LAY ON A HARD SURFACE AND STRIKE WITH HAMMER UNTIL CABLE IS SECURED. (SEE DIAGRAMS ENCLOSED.)
10. LEAD ROPES THROUGH EYELETS AND TIE TO LOOP WITH SEVERAL HALF HITCHES TO FORM A CONTINUES LINE THROUGH THE EYELETS.
11. WITH NET CLIP IN ITS LOWEST POSITION, ATTACH TO CABLE IN TOP OF NET.
12. HOIST NET IN STAGES EVENLY ON EACH POLE UNTIL IN UPPER MOST POSITION.
13. ATTACH VELCRO WRAPS AROUND NET AT THE BASE OF EACH POLE. ALSO, PLACE A VELCRO WRAP AT APPROX. 6 FEET UP ON THE POLES CLOSEST TO THE OPENING.
14. ATTACH SAFTEY SIGNS TO EACH OF THE THREE SIDES OF THE NET WITH WIRE TIES PROVIDED

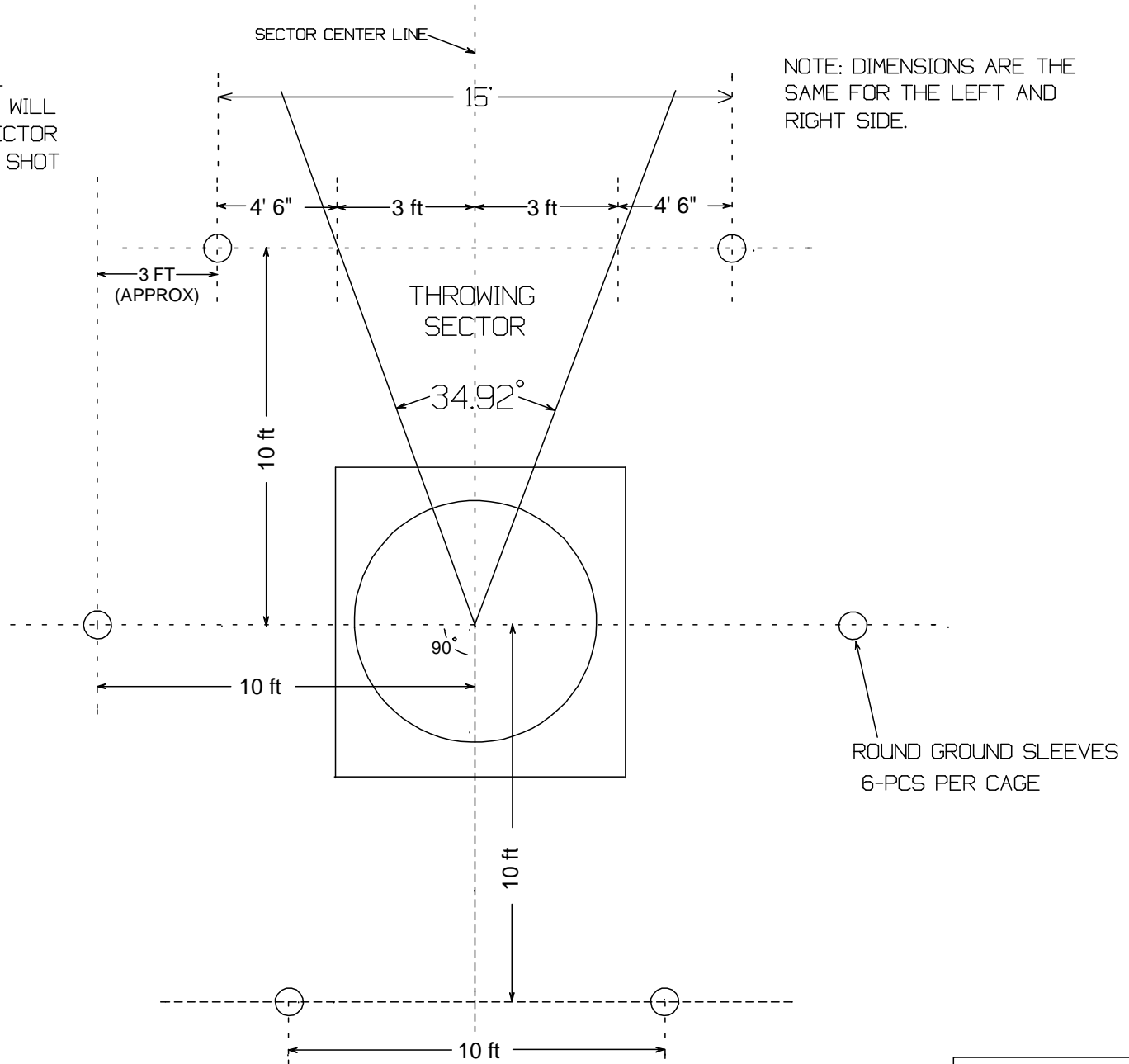
IMPORTANT NOTICE

SPECTATORS AND COMPETITORS MAY GET A FALSE SENSE OF SECURITY WITH THE NET IN PLACE. IT IS VERY IMPORTANT THEY STAY A MINIMUM OF 15 FEET FROM NET. WE RECOMMEND A CROWD CONTROL RETAINER BE PLACED AT THIS DISTANCE.

www.stackhouseathletic.com

 <p>Phone: (503) 363-1840 Toll Free: (800) 285-3604 Fax: (503) 363-0511 www.stackhouseathletic.com</p>	CANTILEVER DISCUS CAGE	DATE: 11-08
	INSTALLATION AND ASSEMBLY SHEET	DRAWN BY: S.L.
	PAGE 1 OF 5	PRODUCT CODE: THSCAN DWG: THSCAN INST PG1-REV-08

NOTE: EFFECTIVE 2006, ALL REFERENCES AND DIAGRAMS WILL REFLECT ONE STANDARD SECTOR AT 34.92 DEGREES FOR THE SHOT AND THE DISCUS.



NOTE: DIMENSIONS ARE THE SAME FOR THE LEFT AND RIGHT SIDE.

www.stackhouseathletic.com

SCALE: NTS



CANTILEVER DISCUS CAGE - WITH ROUND POLES

DATE: 11-08

Phone: (503) 363-1840 Toll Free: (800) 285-3604
 Fax: (503) 363-0511 www.stackhouseathletic.com

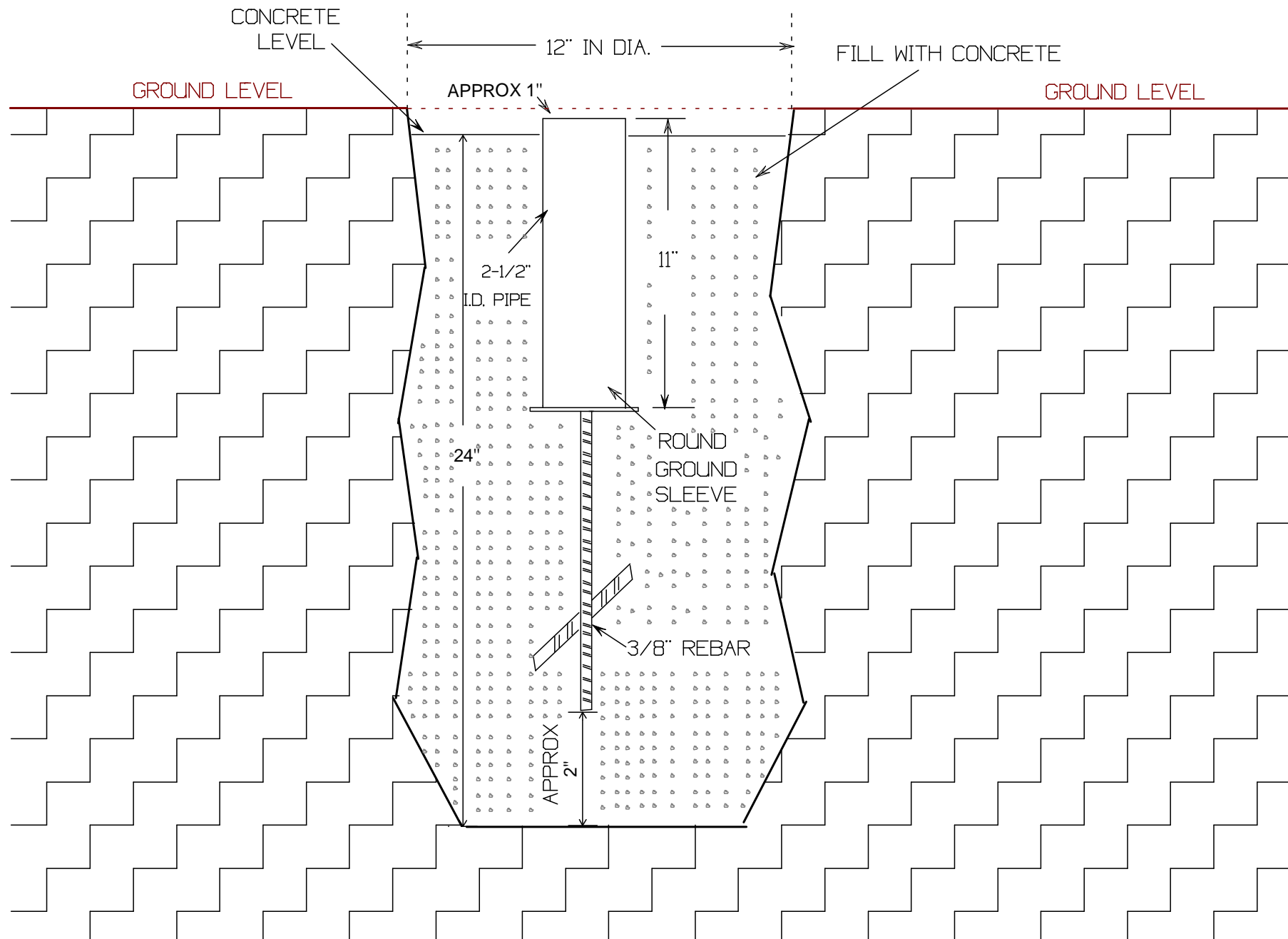
SLEEVE PLACEMENT DRAWING

DRAWN BY: S.L.

PAGE 2 OF 5

PRODUCT CODE: THSCAN

DWG:SLEEVE PLACEMENT-REV-08



www.stackhouseathletic.com

SCALE: NTS

STACKHOUSE
athletic equipment

Phone: (503) 363-1840 Toll Free: (800) 285-3604
Fax: (503) 363-0511 www.stackhouseathletic.com

GROUND SLEEVE FOR ROUND POLE DISCUS CAGES

DATE: 11-08

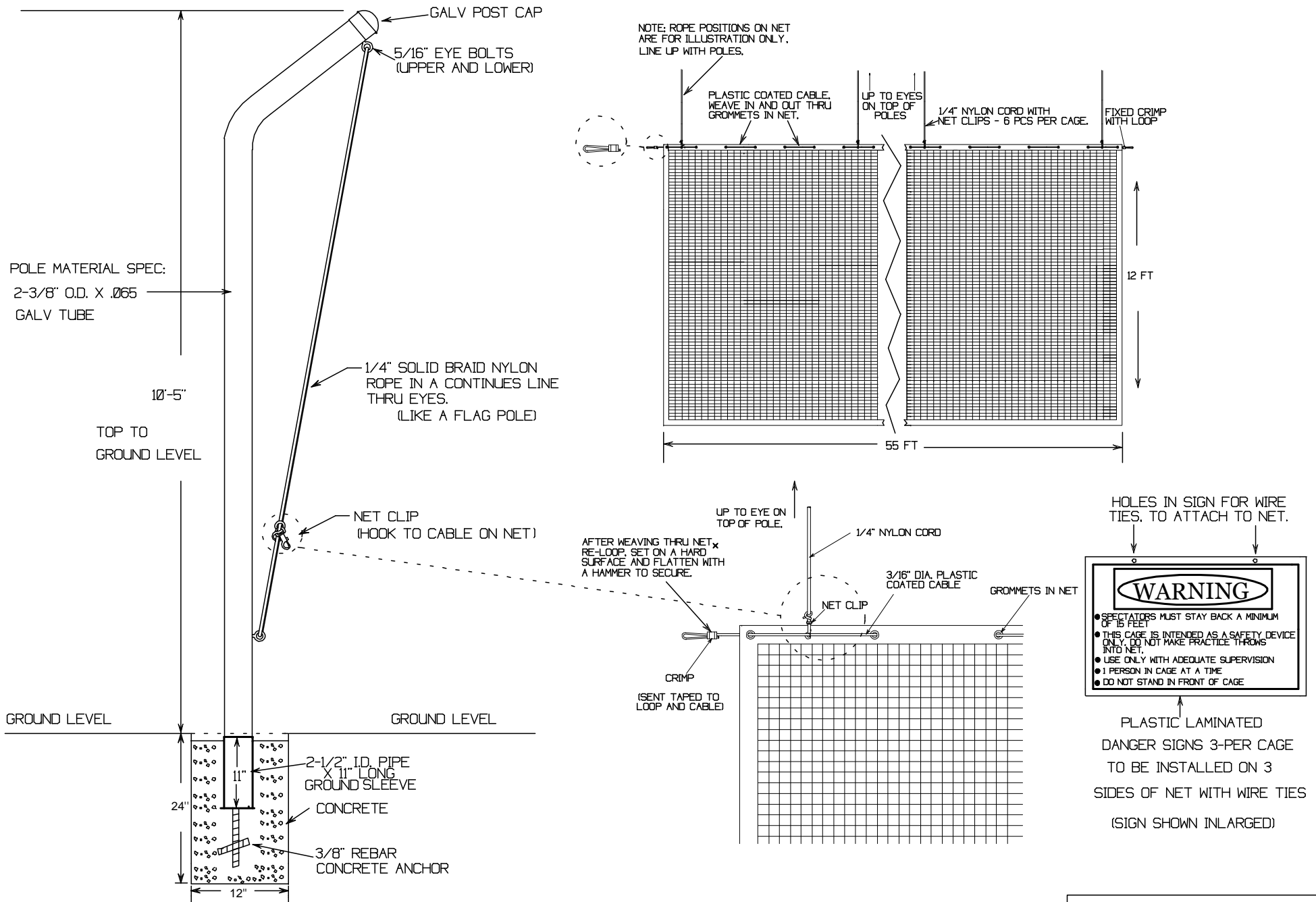
INSTALLATION DRAWING

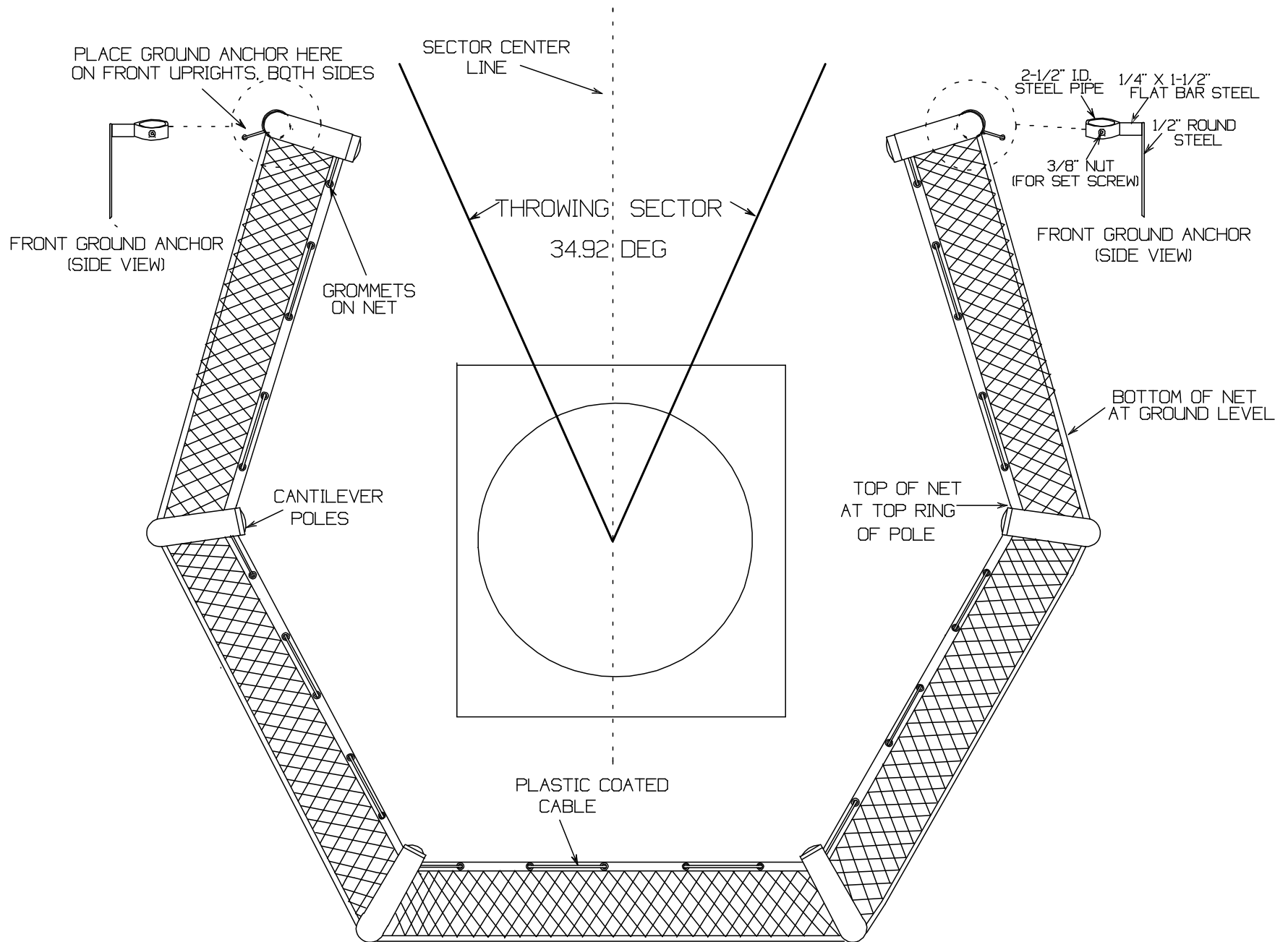
DRAWN BY: S.L.

PAGE 3 OF 5

PRODUCT CODE: THSCAN

DWG: SLEEVE INSTALL-REV-08





www.stackhouseathletic.com

SCALE: NTS



Phone: (503) 363-1840 Toll Free: (800) 285-3604
 Fax: (503) 363-0511 www.stackhouseathletic.com

CANTILEVER DISCUS CAGE

SET UP DRAWING - COMPLETE - TOP VIEW

PAGE: 5 of 5

PRODUCT CODE: THSCAN

DATE: 11-08

DRAWN BY: S.L.

DWG: THSCAN SET UP TOP VIEW - REV-08