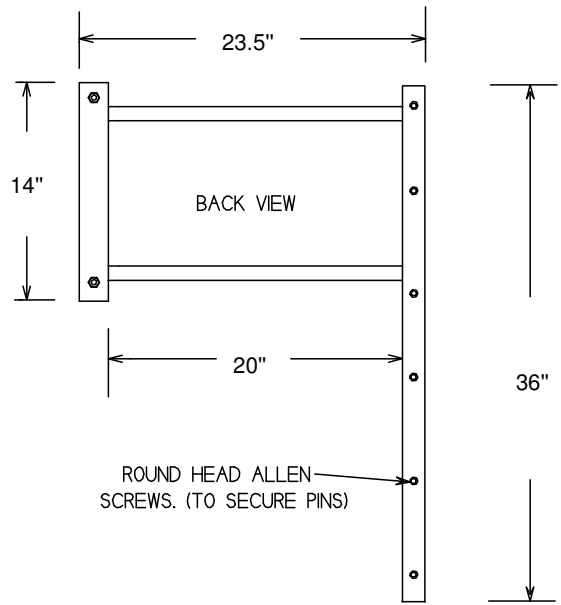


OFFSET RISERS FOR THE OLYMPIC POLE VAULT STANDARDS

SPECIFICATIONS:

OFFSET RISER FRAMES MADE OF ALL ALUMINUM CONSTRUCTION, WITH TWO SETS OF ROUND STEEL PINS, FOR HIGH SCHOOL AND COLLEGE REGULATIONS. PINS BOLT ON FOR EASE IN CHANGING. OFFSETS MADE IN PAIRS,(LEFTS AND RIGHTS). PINS ARE DRILLED AND TAPPED ON ONE END TO MOUNT TO RISER. USING A ROUND HEAD ALLEN SCREW. (ALLEN WRENCH PROVIDED) PINS ARE SET AT 6" APART.

FINISH:  
 OFFSET FRAMES - POWDER COATED - GLOSS BLACK.  
 PINS: BRIGHT ZINC PLATED - (GOLD COLORED).



www.stackhouseathletic.com

SCALE: NTS
DATE: 12-08
DRAWN BY: S.L.
DWG: TOPVS SPEC PG1-REV-08



Phone: (503) 363-1840 Toll Free: (800) 285-3604  
 Fax: (503) 363-0511 www.stackhouseathletic.com

OFFSET RISERS FOR THE OLYMPIC POLE VAULT STANDARDS	
SPECIFICATION DRAWING	
SHEET 1 of 3	PRODUCT CODE: TOPVS

BASE AND CARRAGE FOR THE OLYMPIC POLE VAULT STANDARDS

SPECIFICATIONS:

BASE AND CARRAGE MADE OF ALL STEEL CONSTRUCTION, WITH SIX 3" DIA. HARD RUBBER WHEELS AND FOUR STEEL ROLLER BEARINGS ON THE CARRAGE FOR EASY MOVEMENT THRU CHANNELS ON BASE.

EACH CARRAGE HAS TWO ADJUSTABLE LOCK-DOWN BRAKE WHEELS.

FINISH:

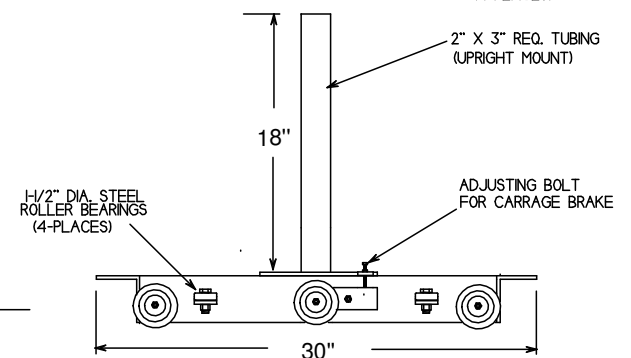
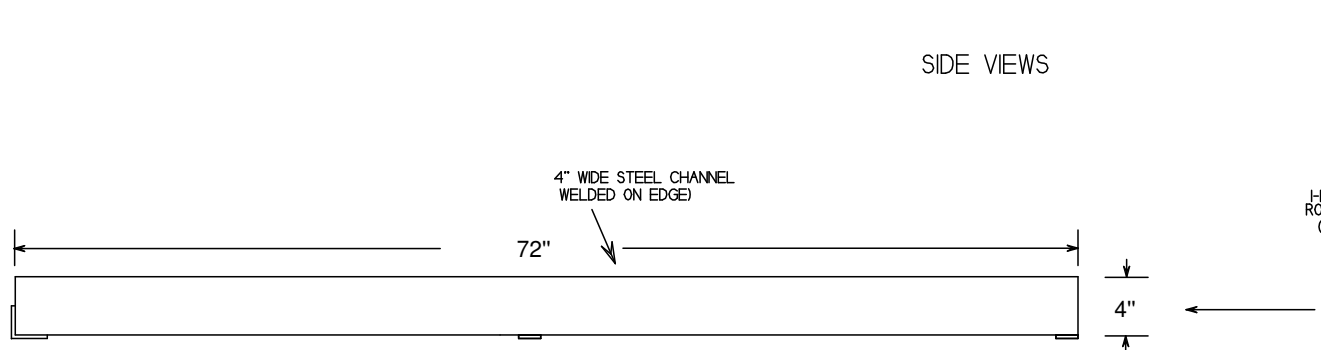
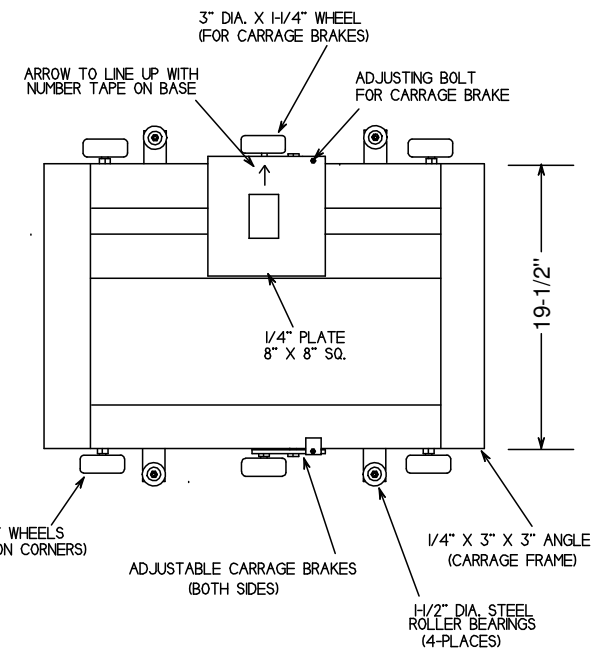
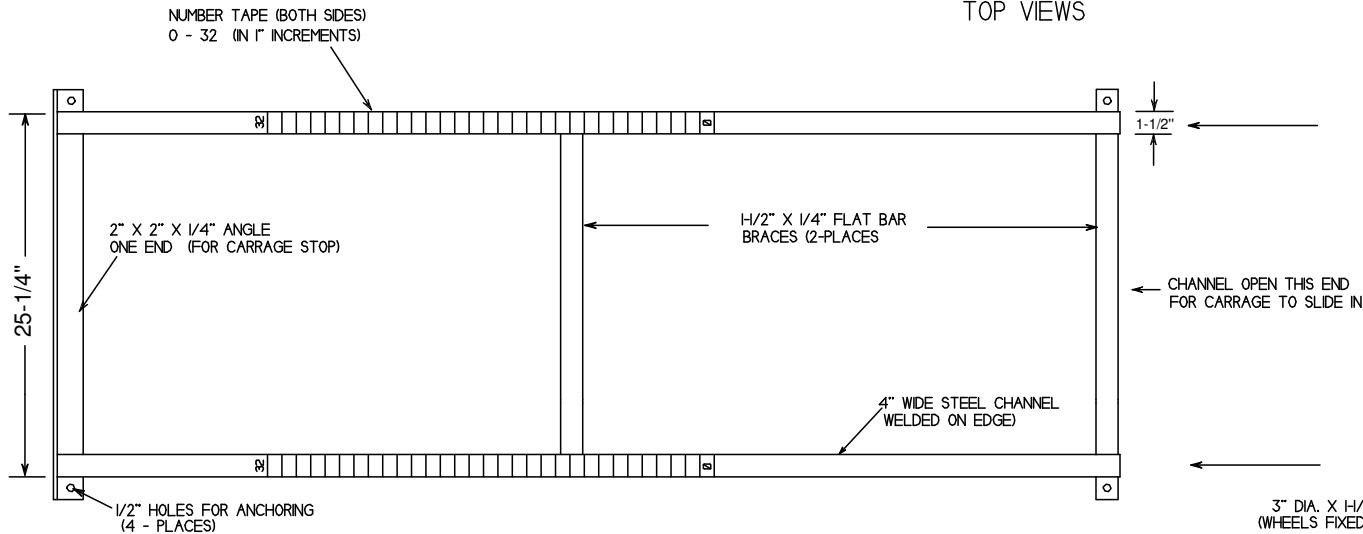
BOTH BASE AND CARRAGE IS POWDER COATED - GLOSS BLACK.

BASE

CARRAGE

TOP VIEWS

SIDE VIEWS



www.stackhouseathletic.com

SCALE: NTS

**STACKHOUSE** athletic equipment

BASE AND CARRAGE FOR THE OLYMPIC POLE VAULT STANDARDS

DATE: 12-08

SPECIFICATION DRAWING

DRAWN BY: S.L.

Phone: (503) 363-1840 Toll Free: (800) 285-3604  
Fax: (503) 363-0511 www.stackhouseathletic.com

SHEET 2 of 3

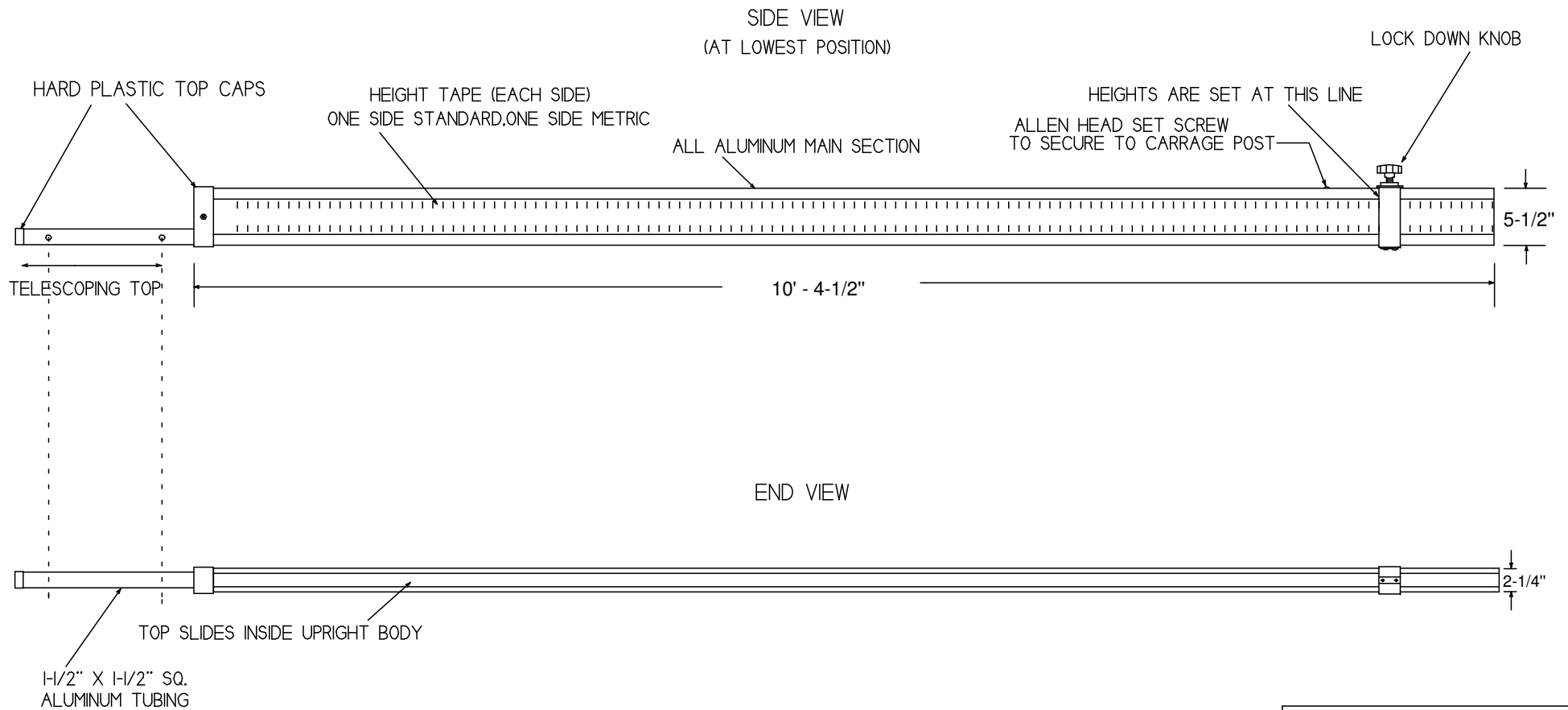
PRODUCT CODE: TOPVS

DWG:TOPVS SPEC PG2-REV-08

UPRIGHTS FOR THE OLYMPIC POLE VAULT STANDARD  
SPECIFICATIONS:

UPRIGHTS MADE OF ALL ALUMINUM CONSTRUCTION.  
HARD PLASTIC LOCK DOWN KNOB.  
TOP SECTION SLIDES INSIDE MAIN BODY AND ADJUSTS  
FROM 12' TO 21' ON UPRIGHT.  
CALIBRATED IN STANDARD AND METRIC.  
WITH OFFSET RISER ON, UNIT WILL ADJUST FROM 9' TO 21'

FINISH:  
NATURAL ALUMINUM  
HARD PLASTIC TOP CAPS - BLACK



www.stackhouseathletic.com

SCALE: NTS



Phone: (503) 363-1840 Toll Free: (800) 285-3604  
Fax: (503) 363-0511 www.stackhouseathletic.com

UPRIGHTS FOR OLYMPIC POLE VAULT STANDARD

DATE: 12-08

SPECIFICATION DRAWING

DRAWN BY: S.L.

SHEET 3 of 3

PRODUCT CODE: TOPVS

DWG: TOPVS SPEC PG3-REV-08