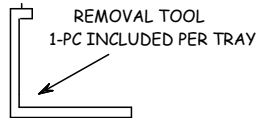


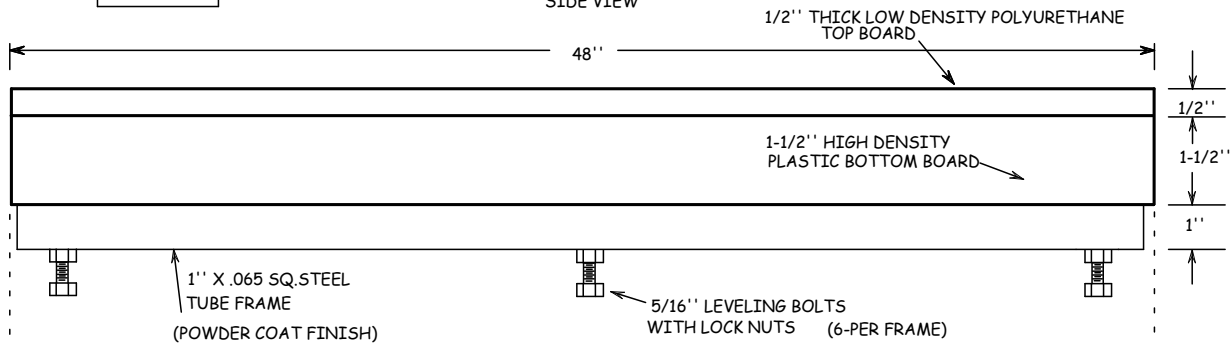
**TTSS BOARD AND TRAY SYSTEM**

- THE MOST POPULAR SYSTEM FOR BOTH THE COLLEGE AND THE HIGH SCHOOL MARKET.
- THE 8" WIDE BOARD MEETS ALL SPECIFICATIONS FOR COLLEGE AND HIGH SCHOOL.
- HEAVY DUTY STEEL TRAY WITH BRIGHT ZINC PLATED FINISH.
- TAKE-OFF BOARD IS MOUNTED TO A STEEL FRAME WITH HEIGHT ADJUSTING BOLTS SO BOARD CAN BE SET FLUSH WITH THE RUNWAY SURFACE.

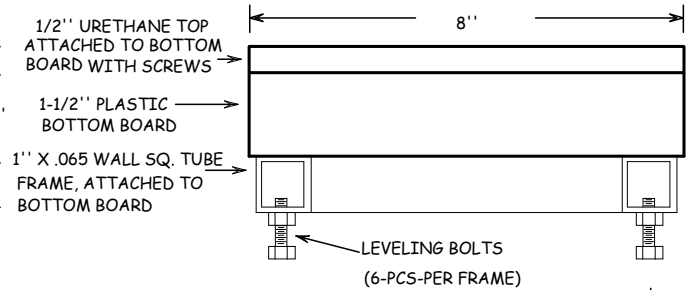


END PIECES  
WELDED ON

BOARD WITH FRAME ONLY SHOWN  
SIDE VIEW

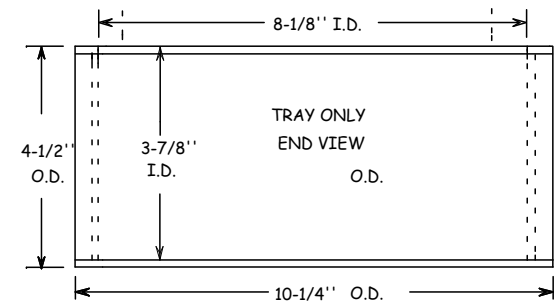
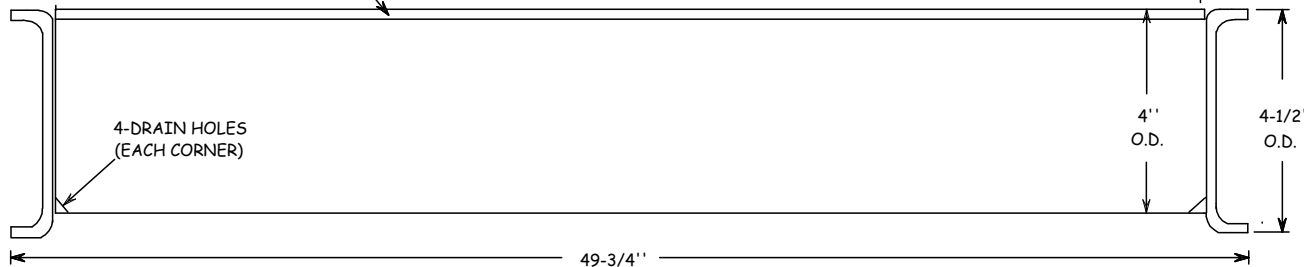


BOARD AND FRAME ONLY SHOWN  
END VIEW



TRAY MADE OF 116A. STEEL  
FORMED, WITH ENDS WELDED ON,  
BRIGHT ZINC FINISH

TRAY ONLY  
SIDE VIEW



www.stackhouseathletic.com

**STACKHOUSE**  
athletic equipment

Phone: (503) 363-1840 Toll Free: (800) 285-3604  
Fax: (503) 363-0511 www.stackhouseathletic.com

8" WIDE TAKE-OFF BOARD AND TRAY

SPECIFICATION DRAWING

SHEET 1 of 1

PRODUCT CODE: TTSS

SCALE: NTS

DATE: 12-08

DRAWN BY: S.L.

DWG: TTSS SPEC-REV-08