

**WARNING STICKERS ATTACHED TO POLES AND BASE**

**WARNING**  
USE OF THIS EQUIPMENT WHEN IMPROPERLY INSTALLED, CAN RESULT IN SERIOUS INJURIES. DO NOT USE WITHOUT PROPER INSTRUCTION AND SUPERVISION OR IF ANY PARTS ARE WORN OR MISSING. CONTACT MANUFACTURER FOR ADDITIONAL INFORMATION.

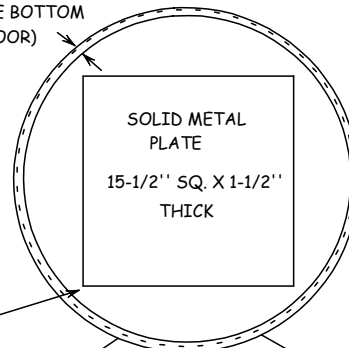
UPRIGHT MATERIAL:  
2-3/8" O.D. GALV TUBE

**DANGER**  
TIPPING OF UNIT WITHOUT BOLT AND NUT INSTALLED AND TIGHTENED COULD CAUSE BASE TO SEPARATE FROM UPRIGHT AND CAUSE INJURY

**CAUTION**  
WHEN MOVING THIS UNIT  
**ALWAYS PUSH NEVER PULL**

RUBBER BOTTOM PAD  
1/2" WIDE AT THE BOTTOM  
(TO PROTECT FLOOR)

BOTTOM VIEW



CORNERS OF PLATE  
WELDED TO BASE

**SPECIFICATIONS:**

USED FOR ALL NET GAMES, THESE ALL STEEL CONSTRUCTION STANDARDS TRANSPORT ON CASTERS, AND HAS A RUBBER PAD ON THE BOTTOM TO PROTECT GYM FLOOR.

ALSO CAN BE USED FOR TETHERBALL.

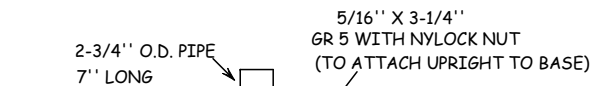
**FINISH:**

BASES - POWDER COATED  
COLOR - ROYAL BLUE

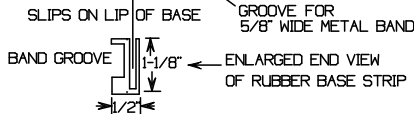
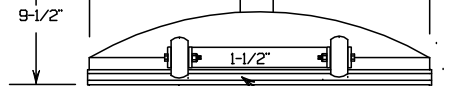
UPRIGHTS - NATURAL BRIGHT GALV

BASE WEIGHT - 125 LBS

POLE WEIGHT - 20 LBS



SIDE VIEW (BASE)  
25"



NOTE SHORT BASE PIPE IS SECURED TO METAL PLATE FOR STRENGTH.

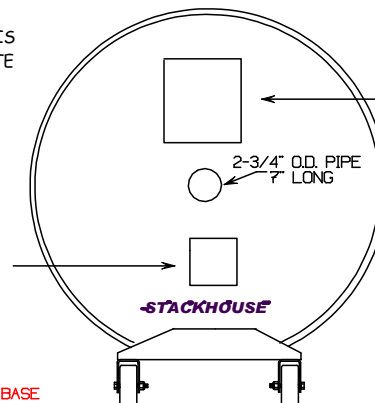
**WARNING**  
DO NOT ATTEMPT TO MOVE THIS ASSEMBLY IF NUT OR BOLT IS LOOSE OR MISSING, AS INJURY MAY RESULT

**WARNING STICKERS ATTACHED TO POLES AND BASE**

1-1/4" X 3" DIA.  
SOLID WHEELS

NOTE: SHIPPED WITH WHEELS NOT ATTACHED TO BASE

TOP VIEW



NOTE: DUE TO THE WEIGHT, BASES SHOULD BE MOVED BY ADULTS ONLY!

DO NOT ATTEMPT TO HAND CARRY!  
CUSTOMER ADVISORY AND WARNING

PARTICIPATION IN PHYSICAL EDUCATION, BODY CONDITIONING, ATHLETICS, RECREATIONAL AND RELATED ACTIVITIES INVOLVE VARYING DEGREES OF ACCIDENTAL INJURY RISKS, UP TO AND INCLUDING THOSE WITH LIFE THREATENING POTENTIAL. UNDER NO CIRCUMSTANCES SHOULD EQUIPMENT USED FOR THESE AFOREMENTIONED ACTIVITIES BE ALTERED, TAMPERED WITH, OR USED WHEN DAMAGED. SUCH EQUIPMENT SHOULD NEVER BE USED WITHOUT DIRECT ADULT SUPERVISION AND ONLY AFTER EXAMINATION FOR DAMAGE, WEAR, PROPER FUNCTION AND GENERAL STABILITY. NOR SHOULD IT BE EMPLOYED FOR ANY ACTIVITY OTHER THAN THAT FOR WHICH IT WAS SPECIFICALLY INTENDED. SUCH EQUIPMENT SHOULD NEVER BE SETUP, OR MOVED BY CHILDREN. PARTICIPANTS SHOULD ALWAYS KNOW OR BE MADE SPECIFICALLY AWARE OF THE RISKS INVOLVED IN THE ACTIVITY THEY ARE PARTICIPATING IN AS WELL AS THEIR OWN PHYSICAL LIMITATIONS AND THAT OF THE EQUIPMENT BEING USED.

www.stackhouseathletic.com

**STACKHOUSE**  
athletic equipment

Phone: (503) 363-1840 Toll Free: (800) 285-3604  
Fax: (503) 363-0511 www.stackhouseathletic.com

ALL PURPOSE ROLLAWAY STANDARDS

SPECIFICATION DRAWING

SHEET 1 of 1

PRODUCT CODE: VAPR

SCALE: NTS

DATE: 2-09

DRAWN BY: S.L.

DWG: VAPR SPEC-09