

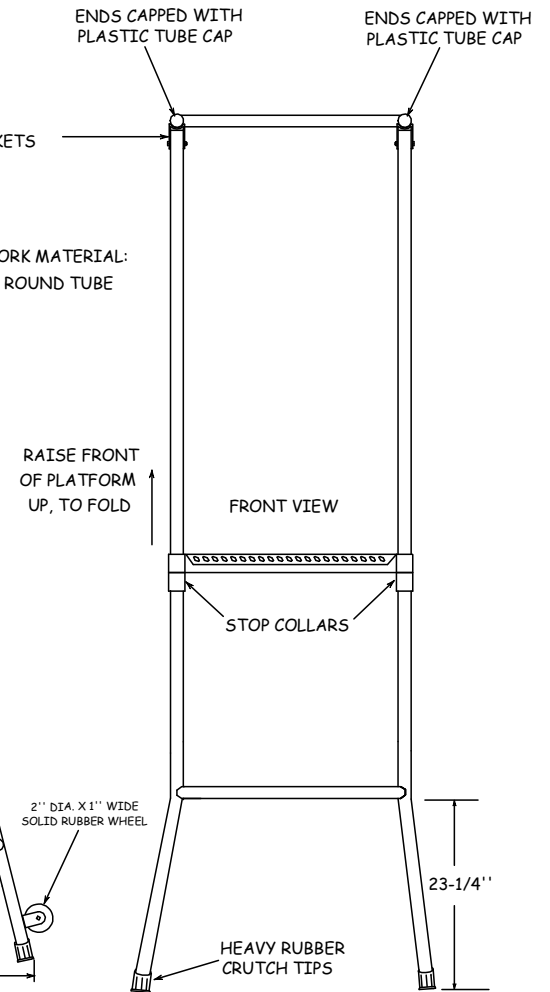
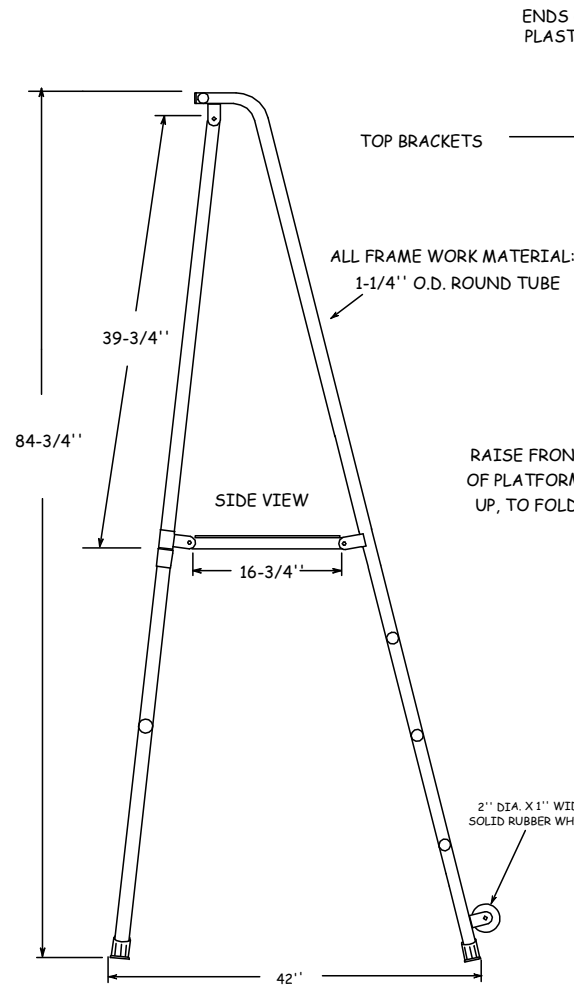
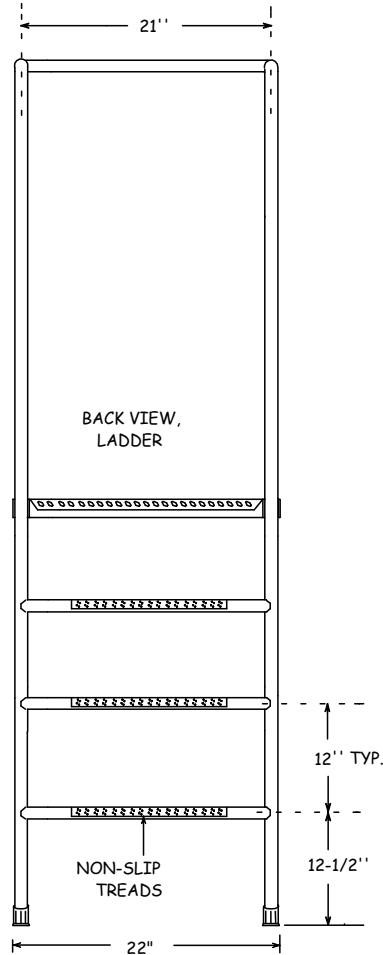
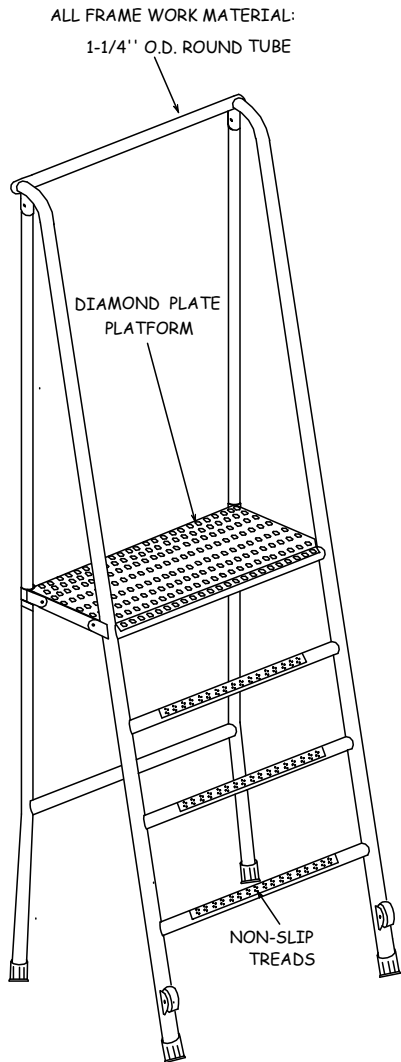
SPECIFICATIONS:

STURDY ALL METAL REFEREE STAND THAT FOLDS
FLAT FOR STORAGE.

DIAMOND PLATE PLATFORM, NON-SLIP SURFACE.
ALL FRAME WORK MADE OF 1-1/4" O.D. ROUND TUBE.

FINISH - POWDER COAT - GLOSS BLACK.

WT. 75lbs



www.stackhouseathletic.com

SCALE: NONE

STACKHOUSE
athletic equipment

FOLDING REFEREE STAND

DATE: 2-09

SPECIFICATION DRAWING

DRAWN BY: S.L.

Phone: (503) 363-1840 Toll Free: (800) 285-3604
Fax: (503) 363-0511 www.stackhouseathletic.com

SHEET 1 of 1

PRODUCT CODE: VFRS

DWG: VFRS SPEC-09