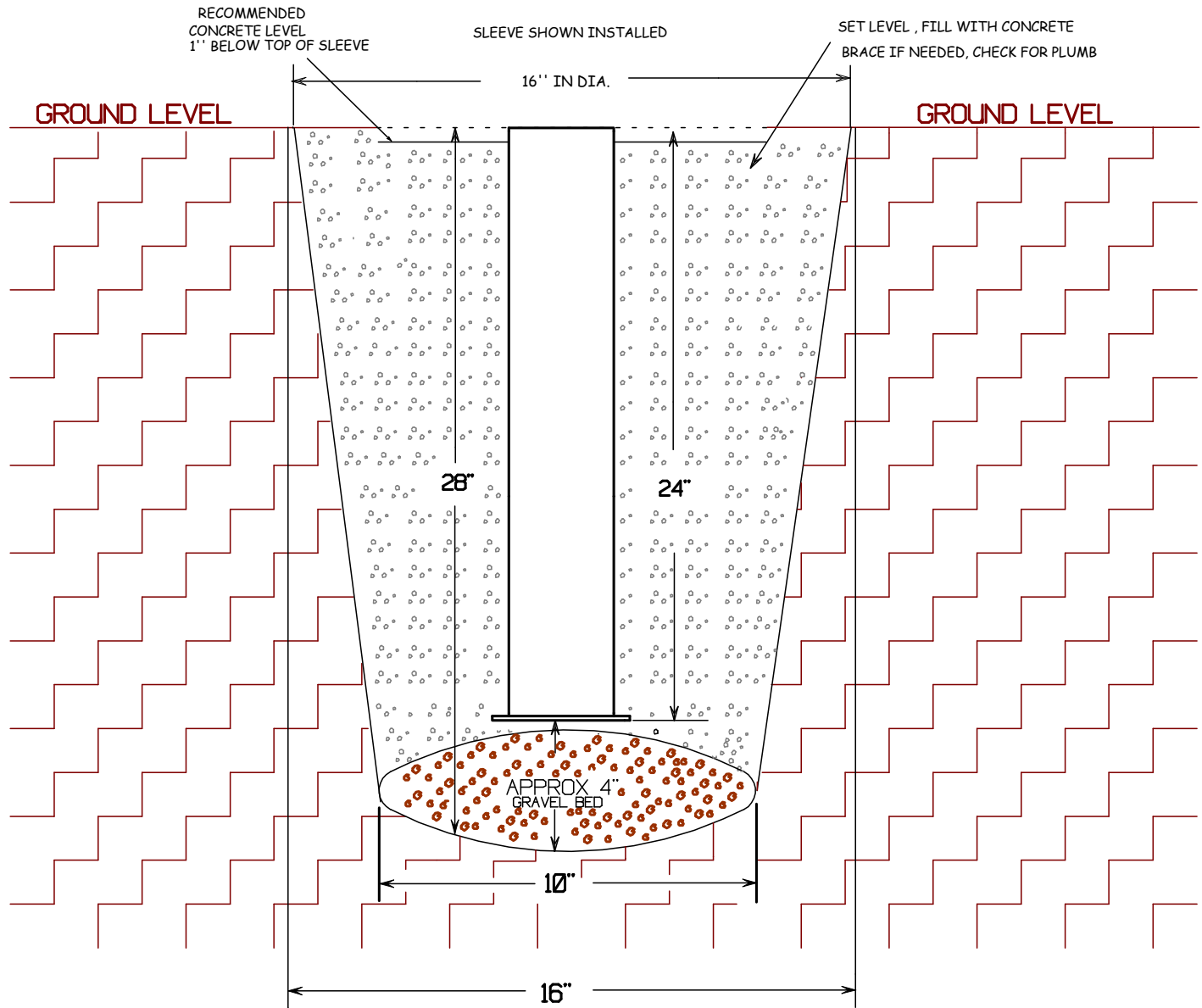
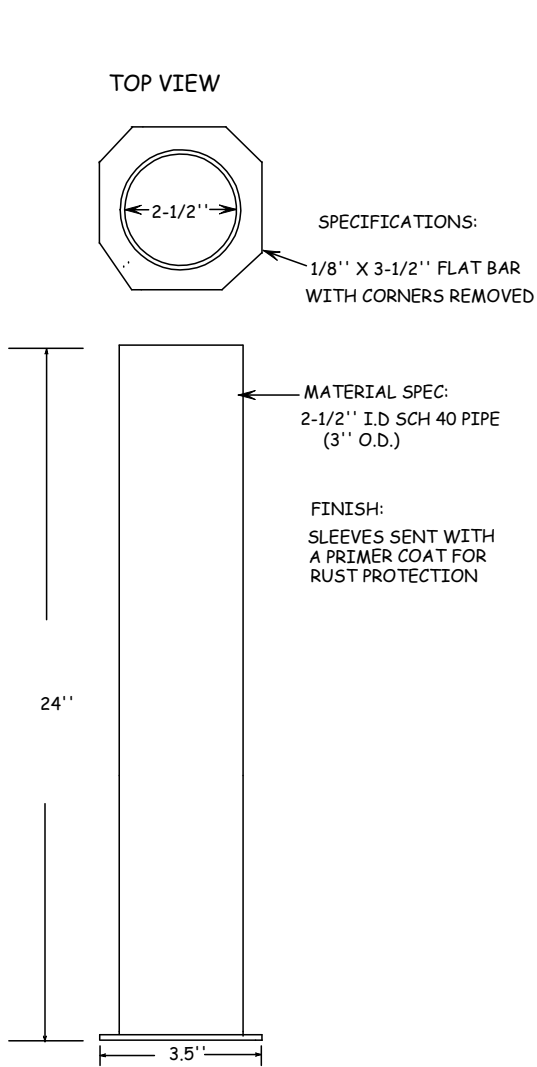


VODSVS - OUTDOOR VOLLEYBALL STANDARD
REPLACEMENT GROUND SLEEVE ONLY



www.stackhouseathletic.com

SCALE: NTS

STACKHOUSE

athletic equipment

REPLACEMENT GROUND SLEEVE FOR - VODSVS

DATE: 2-09

SPECIFICATION DRAWING

DRAWN BY: S.L.

Phone: (503) 363-1840 Toll Free: (800) 285-3604
Fax: (503) 363-0511 www.stackhouseathletic.com

SHEET 1 of 1

PRODUCT CODE: VODSL

DWG: VODSL SPEC-09