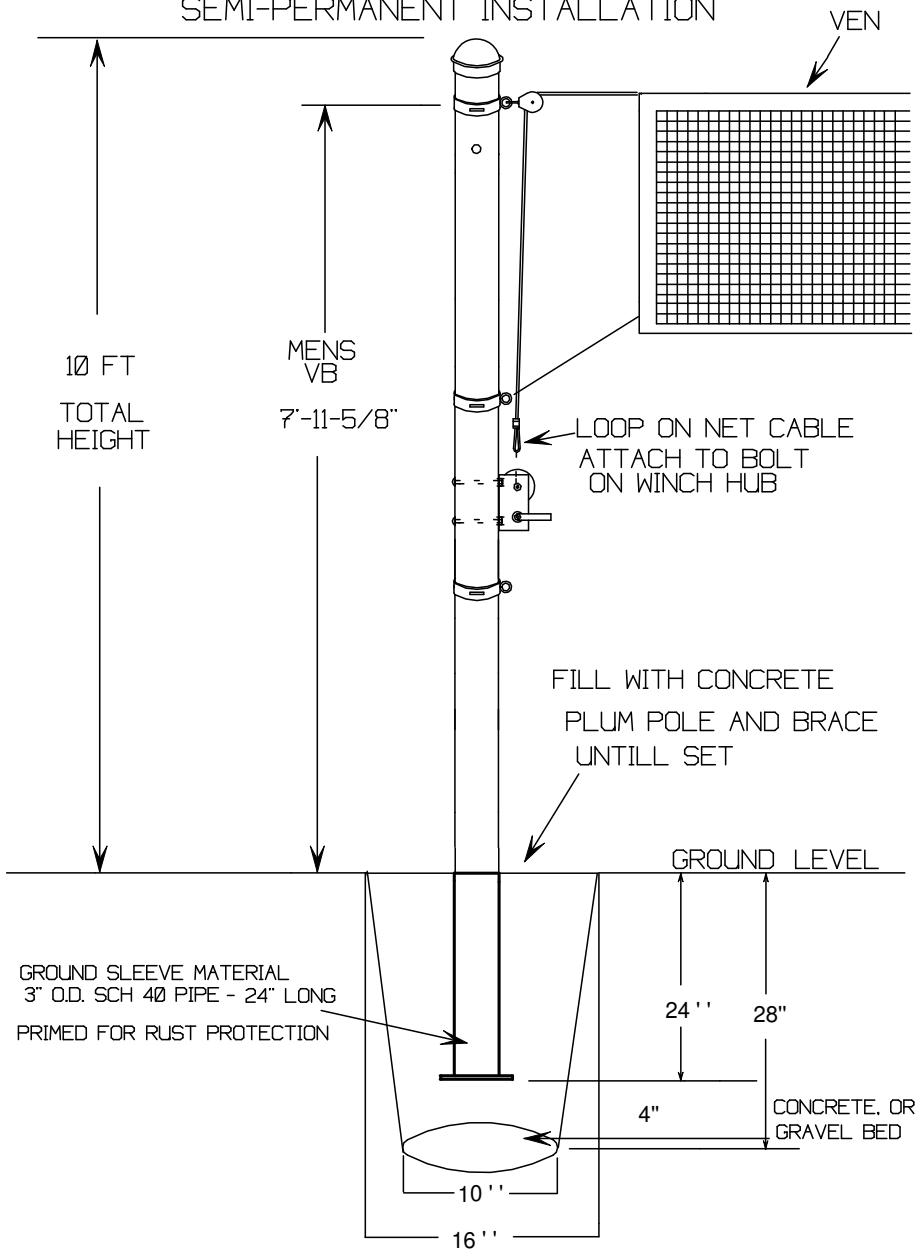
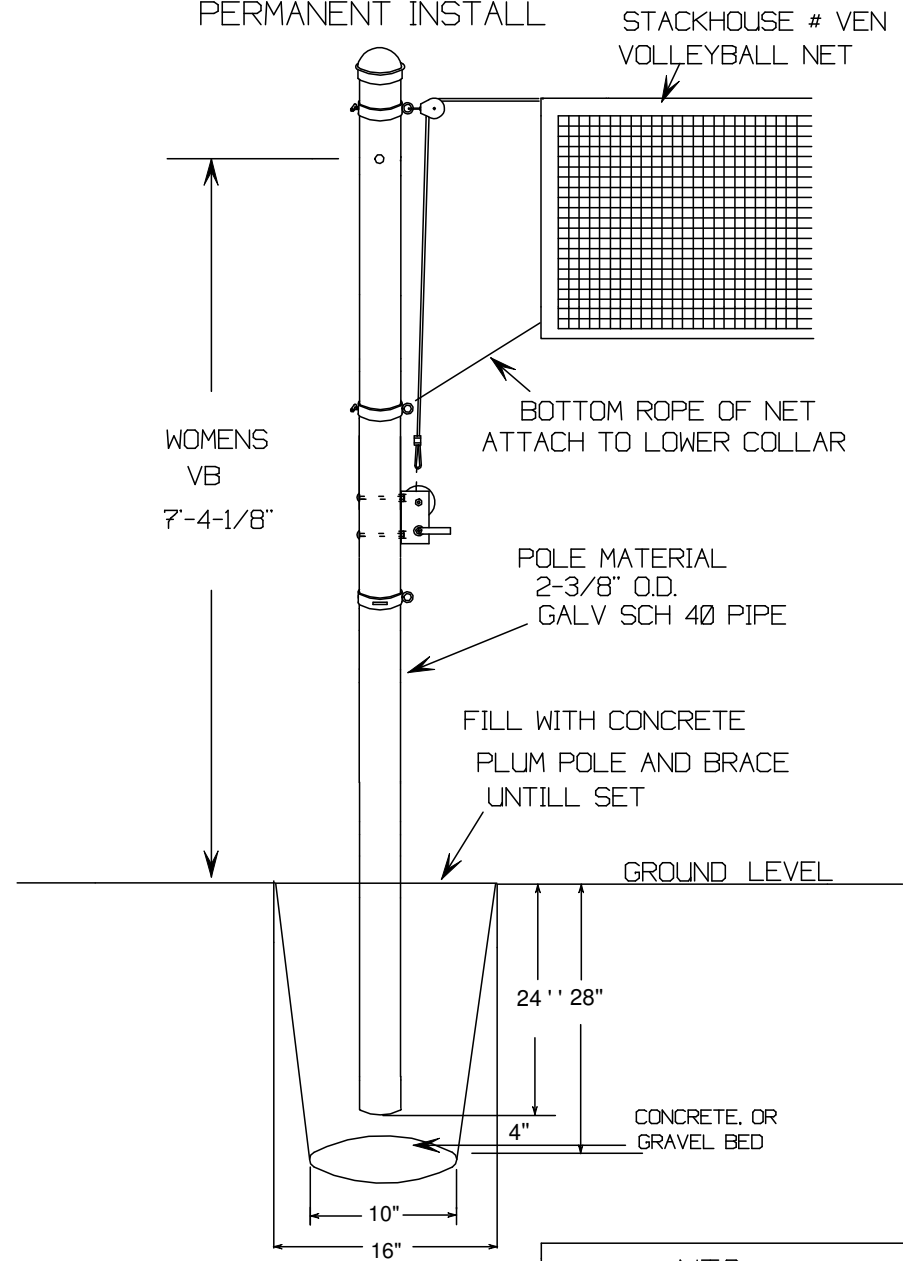


VODSVS WITH 24" GROUND SLEEVE
SEMI-PERMANENT INSTALLATION



VODSVS - NO GROUND SLEEVE
PERMANENT INSTALL



www.stackhouseathletic.com

SCALE: NTS

STACKHOUSE
athletic equipment

Phone: (503) 363-1840 Toll Free: (800) 285-3604
Fax: (503) 363-0511 www.stackhouseathletic.com

OUTDOOR VOLLEYBALL STANDARDS

POLE INSTALLATION DRAWING

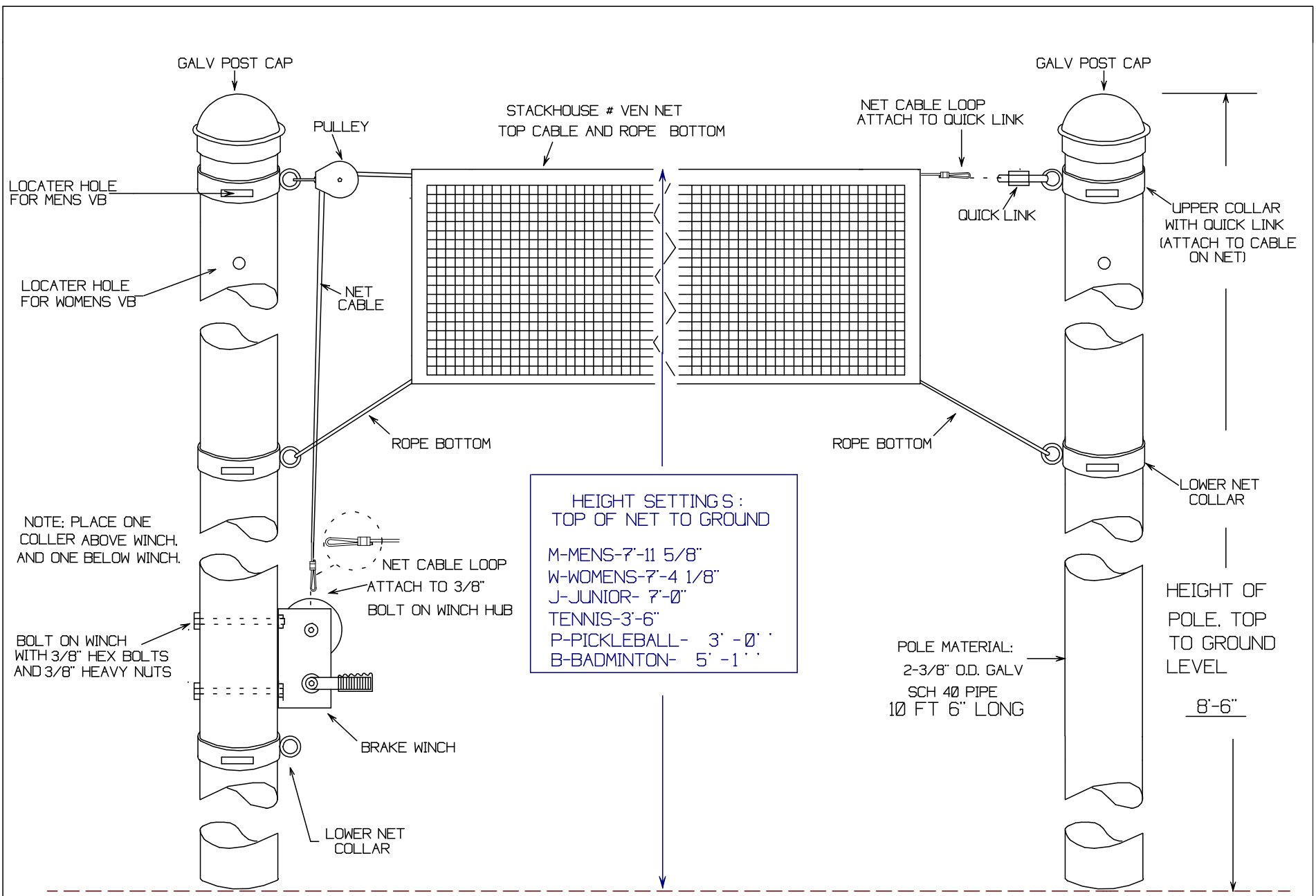
PAGE: 1 of 3

PRODUCT CODE: VODSVS

DATE: 12-08

DRAWN BY: S.L.

DWG: VOD INST PG1-REV-08



www.stackhouseathletic.com

SCALE: NTS

STACKHOUSE
athletic equipment

OUTDOOR VOLLEYBALL STANDARDS

DATE: 12-08

ASSEMBLY DRAWING - UPRIGHTS AND HARDWARE

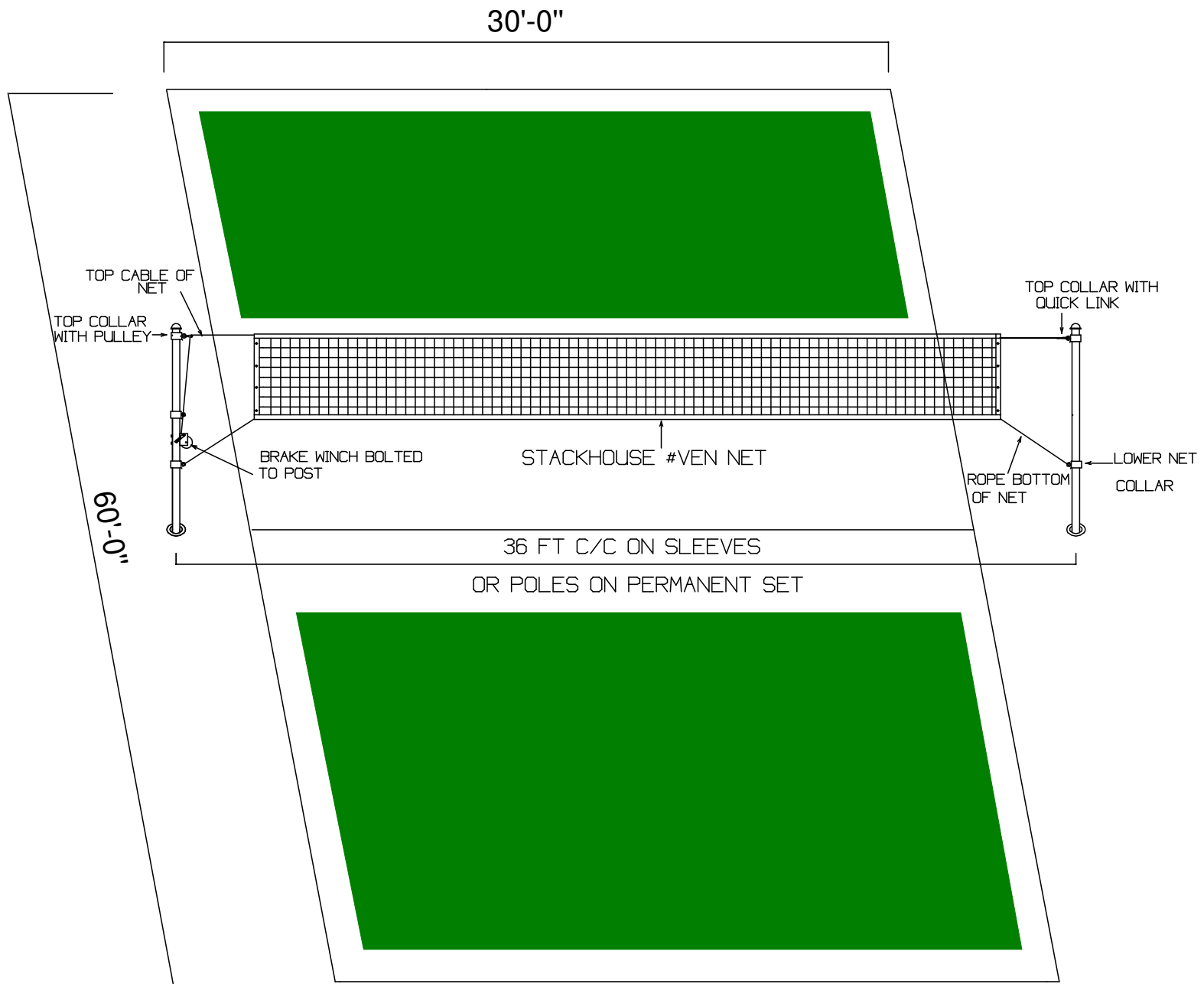
DRAWN BY: S.L.

Phone: (503) 363-1840 Toll Free: (800) 285-3604
Fax: (503) 363-0511 www.stackhouseathletic.com

PAGE: 2 of 3

PRODUCT CODE: VODSVS

DWG: VOD INST PG2-REV-08



www.stackhouseathletic.com

SCALE: NTS

STACKHOUSE
athletic equipment

Phone: (503) 363-1840 Toll Free: (800) 285-3604
Fax: (503) 363-0511 www.stackhouseathletic.com

OUTDOOR VOLLYBALL STANDARDS

DATE: 12-08

SLEEVE PLACEMENT AND COURT LAYOUT

DRAWN BY: S.L.

PAGE 3 of 3

PRODUCT CODE: VODSVS

DWG: VOD INST PG3-REV-08