

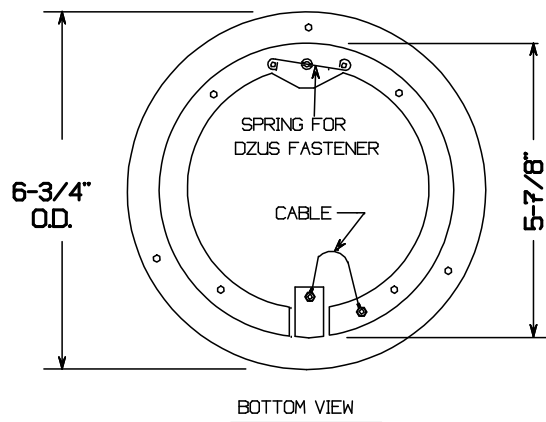
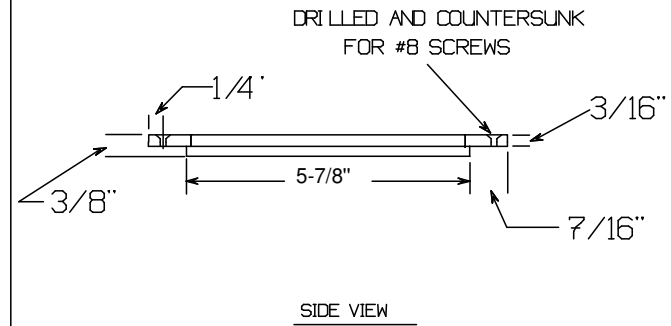
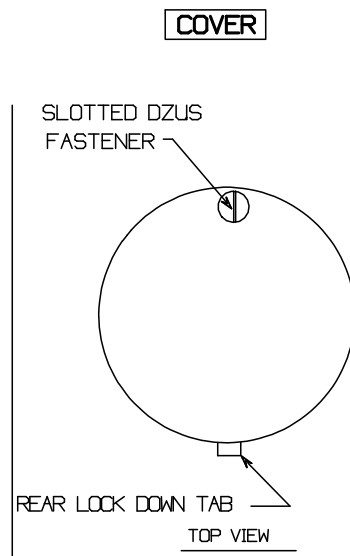
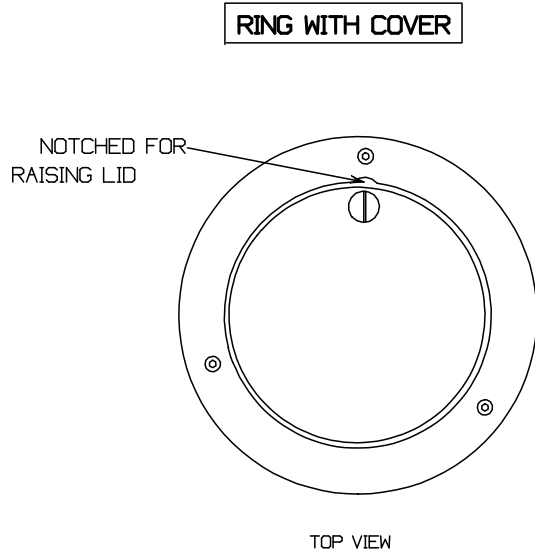
VTFC3

SPECIFICATIONS:

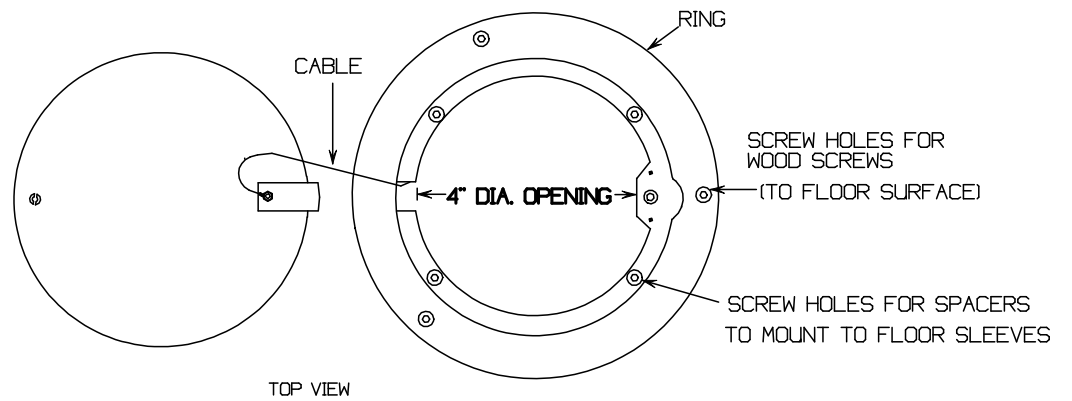
- STAINLESS STEEL FLOOR PLATE WITH 4" DIA. OPENING FOR THE POLE.
- LID UNLOCKS WITH A COIN AND LIFTS OUT OF THE WAY.
- RING HAS AN O.D. OF 6-3/4"
- LID IS ATTACHED TO RING WITH A CABLE TO PREVENT LOSS.
- UNIT IS DESIGNED TO MOUNT TO STACKHOUSE FLOOR SLEEVES - VRFS-3 OR THE VRFS

RING DIMENSIONS

(3") (3-1/2")



RING AND COVER IN OPEN POSITION



www.stackhouseathletic.com

SCALE: NTS

STACKHOUSE
athletic equipment

STAINLESS STEEL FLOOR PLATE FOR VOLLEYBALL STANDARDS

DATE: 1-09

SPECIFICATION DRAWING

DRAWN BY: S.L.

Phone: (503) 363-1840 Toll Free: (800) 285-3604
Fax: (503) 363-0511 www.stackhouseathletic.com

SHEET 1 of 1

PRODUCT CODE: VTFC3

DWG: VTFC3 SPEC-REV-09