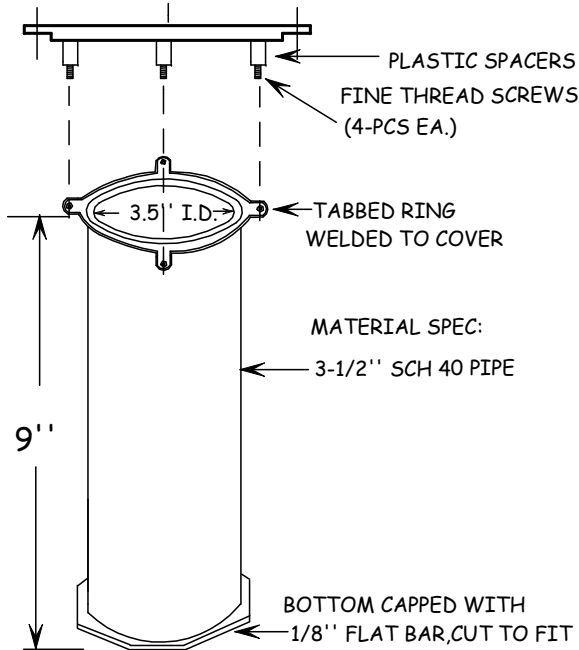
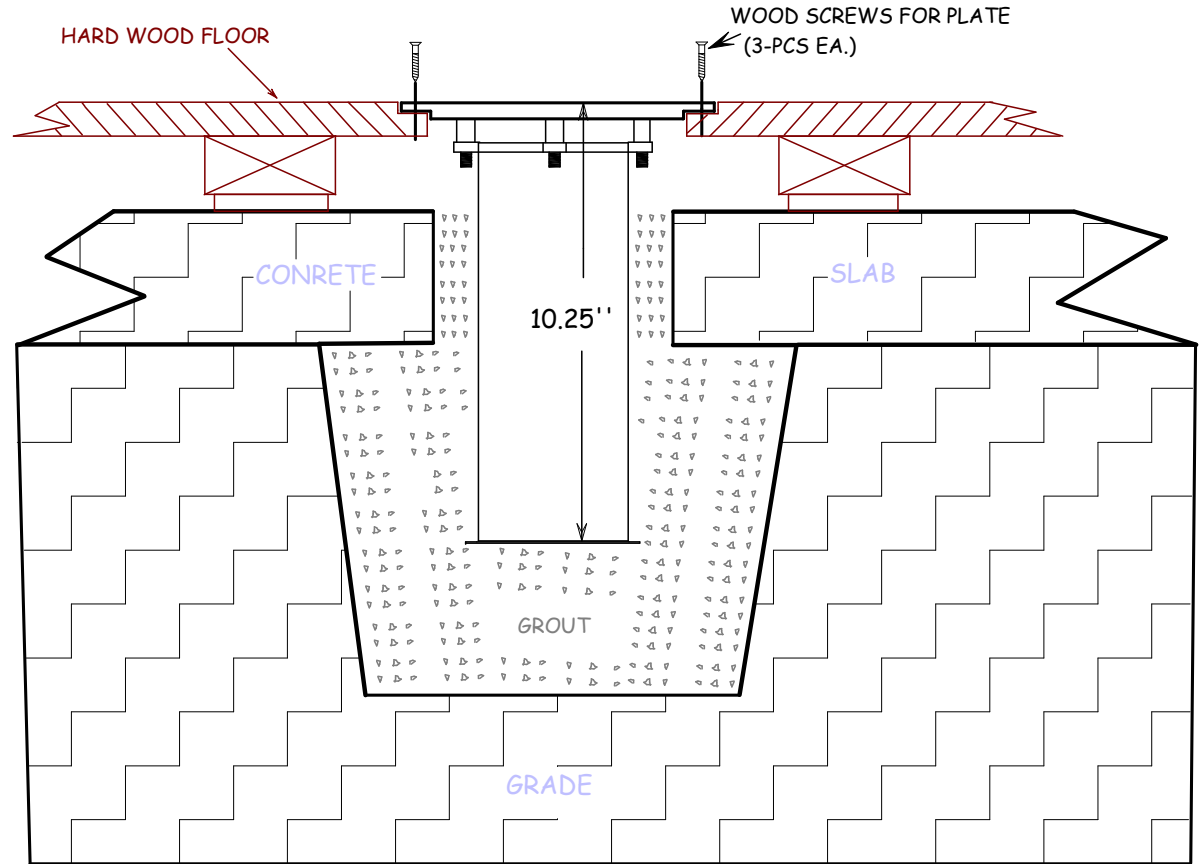


FLOOR SLEEVE AND PLATE SHOWN
INSTALLED ON A WOOD FLOOR



www.stackhouseathletic.com

SCALE: NTS

STACKHOUSE
athletic equipment

3-1/2" I.D. FLOOR SLEEVE AND PLATE FOR VOLLEYBALL

DATE: 1-09

SPECIFICATION DRAWING

DRAWN BY: S.L.

Phone: (503) 363-1840 Toll Free: (800) 285-3604
Fax: (503) 363-0511 www.stackhouseathletic.com

SHEET 1 of 1

PRODUCT CODE: VTFC3.5S

DWG: VTFC3.5S SPEC-09